



2022



Van Wyk's Electrical (Pty) Ltd.

REG. Number 1983/007915/07
141 Station Rd
Brakpan
1541
www.vwe.co.za

P.O. Box 14534
Farrarmere
1518
TEL : 011 740 1238
FAX : 011 740 1268

Catalogue v2.5.6

Contents

Wall Mount Panels

Page.

W	<i>Weatherproof panel with / without inner door, IP65 construction</i>	6
WDP	<i>Weatherproof Drive Panel with / without inner door, IP65 construction</i>	7
Viper	<i>Standard DB with 1,2 or 3 rows of CB's, IP65 construction</i>	8,9
1150 DB	<i>Standard DB with 1,2,3 or 4 rows of CB's, IP65 construction</i>	10
DBC	<i>Preconfigured DB with 1,2,3 or 4 rows of CB's, IP65 construction</i>	11
SDB	<i>DB with 250A incomer breaker, IP54 construction</i>	12
SCDB	<i>Preconfigured DB with copper and tails , IP65 construction</i>	13
JDM	<i>Flush and surface mount DB's, IP4X construction</i>	14,15
JB-S	<i>Junction box with screw-on lid, Weatherproof</i>	16
JB-H	<i>Junction box with hinged door, IP65 construction</i>	17
Telephone Board	<i>Telephone and terminal DB's, IP4X construction</i>	18
Velo	<i>Standard enclosure, single door, IP65 construction</i>	19
S	<i>Standard enclosure, single door, IP54 construction</i>	20
OS-S	<i>Wide standard enclosure, single door, IP54 construction</i>	21
2D-PS	<i>Two door, closet type enclosure, IP54 construction</i>	22

Stainless Steel Panels

SS	<i>Standard Stainless Steel enclosure, IP65 construction</i>	23
SCR	<i>3CR12 Stainless Steel enclosure, IP65 construction</i>	24
SRG	<i>Stainless Steel enclosure with roof and glandplate, IP65 construction</i>	25
SS-F	<i>Stainless Steel floor standing enclosure, IP65 construction</i>	26
PSF	<i>Stainless steel Modular floor standing panel, multi-tier, IP65 construction</i>	27

Floor Standing Panels

U SF-BC	<i>Single door, versatile, modular, indoor panel, IP42 construction</i>	28
U DF-BC	<i>Two door, versatile, modular, indoor panel, IP42 construction</i>	29
LVW	<i>Floor Standing distribution board, modular, IP65 construction</i>	30
LVC	<i>Floor Standing distribution board combination, IP65 construction</i>	31
FW	<i>Standard floor standing panel, IP54 construction</i>	33

Generator Canopies & Tanks

Page.

Boa Range canopies	<i>Sound Attenuated Canopies</i>	34,35
Weatherproof canopies & tanks	<i>Weatherproof & Sound attenuated canopies, tanks and panels</i>	36
Cobra Canopy & Tank	<i>Weatherproof & Sound attenuated canopies, tanks and panels</i>	37

Kiosks

PK	<i>Pumpstation kiosk with stand base and inner door, IP65 construction</i>	38
----	--	----

Control Desks

Control desk PS	<i>Control desk with slanted top lid and front door, IP54 construction</i>	39
BF-CD	<i>Bench type control desk with two front doors, IP54 construction</i>	40

Council Panels

KS-5A	<i>Panels as required by various town and city councils, IP65 construction</i>	41
M41C	<i>Panels as required by various town and city councils, IP65 construction</i>	42
JCC	<i>Panels as required by various town and city councils, IP65 construction</i>	43

Busbars

Busbar Sets	<i>Standard busbar bracket sets for DB's</i>	44
-------------	--	----

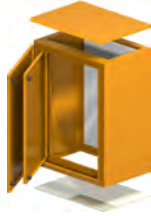
Panel Accessories

Various Accessories	<i>Mounting Ears, A4 & A5 Cardholders, A4 Drawing Pockets</i>	45
---------------------	---	----

Wall Mount Panels



W Range
Pg. 6



WDP Range
Pg. 7



VIPER Range
Pg. 8 - 9



1150 DB Range
Pg. 10



DBC Range
Pg. 11



SDB Range
Pg. 12



SCDB Range
Pg. 13



JDM DB's & Trays
Pg. 14 - 15



JB-S Range
Pg. 16



JB-H Range
Pg. 17



Telephone Board Range
Pg. 18



Velo Range
Pg. 19



S Range
Pg. 20



OS Range
Pg. 21



2D-PS Range
Pg. 22

Stainless Steel Panels



SS Range
Pg. 23



SCR Range
Pg. 24



SRG Range
Pg. 25



SSF Range
Pg. 26



PSF Range
Pg. 27

Floor Standing Panels



U SF-BC Range
Pg. 28



U DF-BC Range
Pg. 29



LVW Range
Pg. 30



LVC Range
Pg. 31



FW Range
Pg. 33

Generator Canopies & Tanks



BOA Range
Pg. 34 - 35



Weatherproof Range
Pg. 36



COBRA Range
Pg. 37

Kiosks



Pumpstation Kiosk Range
Pg. 38

Control Desks



Control Desk PS Range
Pg. 39



BF-CD Range
Pg. 40

Council Panels



KS-5A
Pg. 41

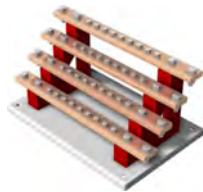


M41C
Pg. 42



JCC
Pg. 43

Busbars



Busbar Bracket Sets
Pg. 44

Panel Accessories



Various Accessories
Pg. 45



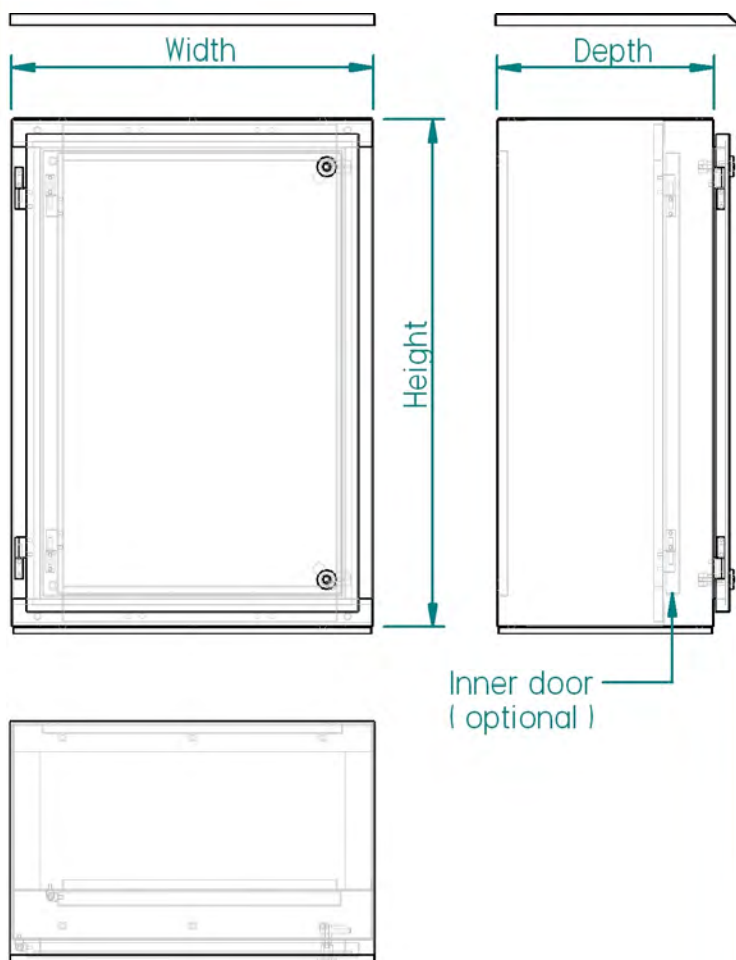
W-Range Enclosures IP65 - Construction



Van Wyk's Electrical (Pty)

REG. Number 1983/007915/07
141 Station Rd
Brakpan
1541
www.vwe.co.za

P.O. Box 14534
Farrarmere
1518
TEL : 011 740 1238
FAX : 011 740 1268



CODE	DEPTH	WIDTH	HEIGHT	CHASSIS SIZE
W34	200	300	400	215 X 315
W46	250	400	600	315 X 515
W57	300	500	700	415 X 615
W68	300	600	800	515 X 715
W710	300	700	1000	615 X 915
W811	300	800	1100	715 X 1015

FABRICATION

- Material : 1.6mm Mild steel.
- Standard colours : (B26) Orange.
- Optional colours available.
- Finish : Powder coated.
- Optional Extra : Innerdoor to be specified and ordered separately.

E & O.E. : Prices and design subject to change without notice

SPECIALS MADE TO ORDER



Van Wyk's Electrical (Pty)

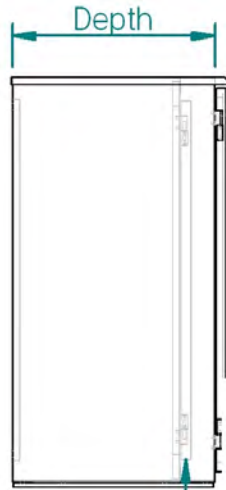
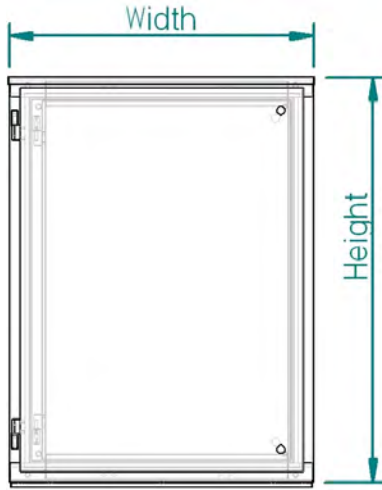
REG. Number 1983/007915/07
141 Station Rd
Brakpan
1541
www.vwe.co.za

P.O. Box 14534
Farrarmere
1518
TEL : 011 740 1238
FAX : 011 740 1268

Wall Mount Drive Panel - Range IP65 - Construction



WALLMOUNT PANELS



Innerdoor
(Optional)



CODE	DEPTH	WIDTH	HEIGHT	CHASSIS SIZE
WDP68	400	600	800	515 X 715
WDP710	450	700	1000	615 X 915
WDP811	500	800	1100	715 X 1015

FABRICATION

- Material : 1.6mm Mild steel.
- Standard colours : (B26) Orange.
- Optional colours available.
- Finish : Powder coated.
- Optional Extra : Innerdoor to be specified and ordered separately.

E & O.E. : Prices and design subject to change without notice

SPECIALS MADE TO ORDER



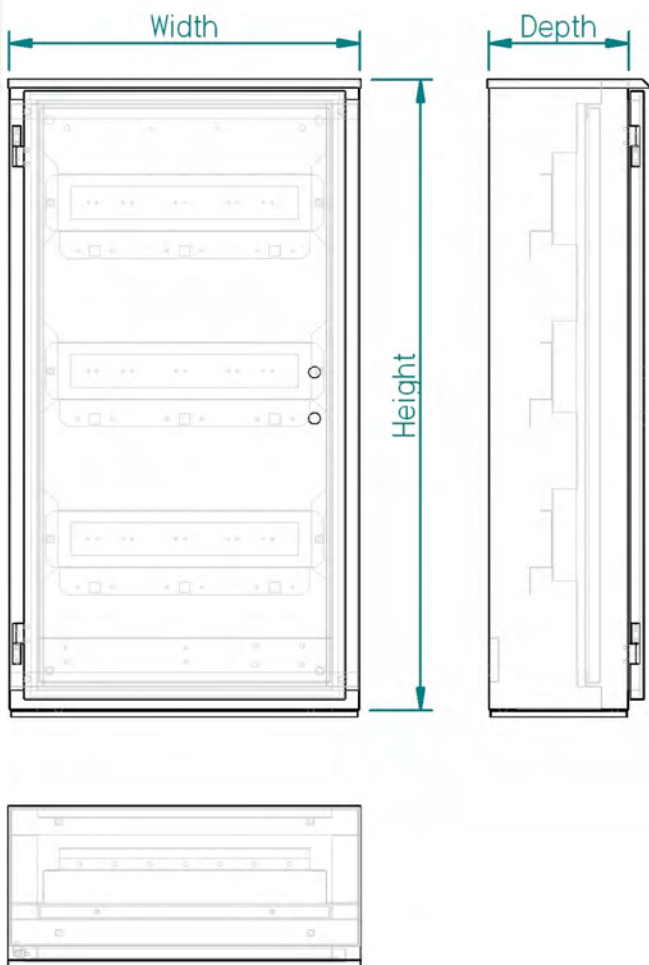
Viper-Range Distribution Boards IP65 - Construction



Van Wyk's Electrical (Pty)

REG. Number 1983/007915/07
141 Station Rd
Brakpan
1541
www.vwe.co.za

P.O. Box 14534
Farrarmere
1518
TEL : 011 740 1238
FAX : 011 740 1268



CODE OUTDOOR	CODE INDOOR	No. of Way HY-MAG C/B 5kA Minirail 26mm MODULE	No. of Way HY-MAG C/B 2.5kA Minirail 13mm MODULE	No. of Way DIN RAIL MOUNT Eg. M&G and HAGAR 18mm MODULE	SIZE W X H X D
VIP 4-9 O	VIP 4-9 I	(27) 3 X 9	(54) 3 X 18	(39) 3 X 13	400 X 900 X 200
VIP 5-9 O	VIP 5-9 I	(36) 3 X 12	(72) 3 X 24	(54) 3 X 18	500 X 900 X 200
VIP 6-9 O	VIP 6-9 I	(45) 3 X 15	(90) 3 X 30	(63) 3 X 21	600 X 900 X 200
VIP 8-9 O	VIP 8-9 I	(69) 3 X 23	(138) 3 X 46	(99) 3 X 33	800 X 900 X 200

FABRICATION

- Material : 1.2mm Mild steel.
- Standard colours : (B26) Orange.
- Optional colours available.
- Code O : Enclosure is fitted with a roof, Code I : Enclosure is fitted with a top plate.

E & O.E. : Prices and design subject to change without notice

SPECIALS MADE TO ORDER

Viper-Range Distribution Panels IP65 - Construction



VIP 46

VIP 53

CODE OUTDOOR	CODE INDOOR	No. of Way HY-MAG C/B 5kA Minirail 26mm MODULE	No. of Way HY-MAG C/B 2.5kA Minirail 13mm MODULE	No. of Way DIN RAIL MOUNT Eg. M&G and HA- GAR 18mm MOD- ULE	SIZE W X H X D
VIP 4-6 O	VIP 4-6 I	(18) 2 X 9	(36) 2 X 18	(26) 2 X 13	400 X 600 X 200
VIP 5-3 O	VIP 5-3 I	(12) 1 X 12	(24) 1 X 24	(18) 1 X 18	500 X 350 X 200

FABRICATION

- Material : 1.2mm Mild Steel.
- Standard colours : (B26) Orange.
- Optional colours available.
- Code O : Enclosure is fitted with a roof, Code I : Enclosure is fitted with a top plate.

E & O.E. : Prices and design subject to change without notice

SPECIALS MADE TO ORDER

**1150 DB
RANGE**

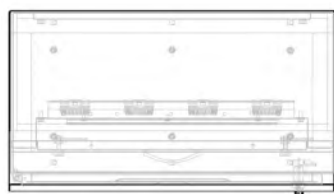
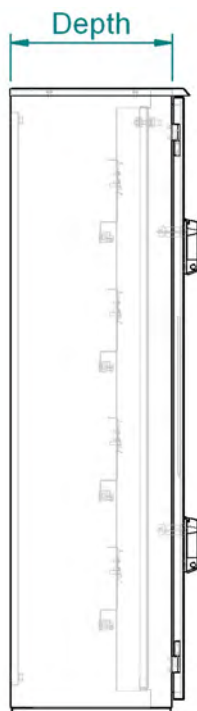
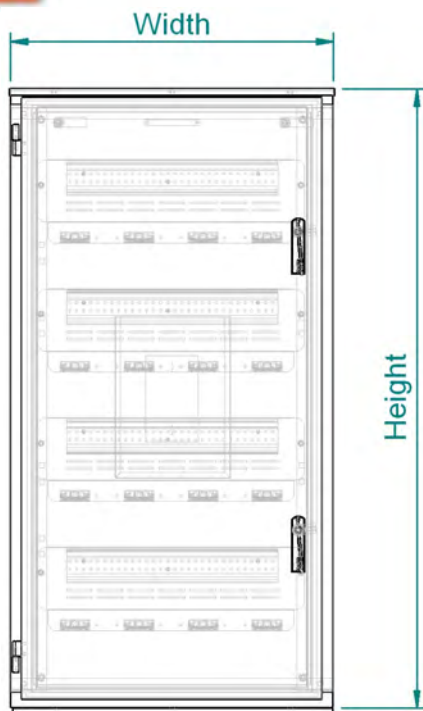
**Distribution Boards
IP65 - Construction**



Van Wyk's Electrical (Pty)

REG. Number 1983/007915/07
141 Station Rd
Brakpan
1541
www.vwe.co.za

P.O. Box 14534
Farrarmere
1518
TEL : 011 740 1238
FAX : 011 740 1268



CODE OUTDOOR	CODE INDOOR	No. of Way HY-MAG C/B 5kA Minirail 26mm MODULE	No. of Way HY-MAG C/B 2.5kA Minirail 13mm MODULE	No. of Way DIN RAIL MOUNT Eg. M&G and HA- GAR 18mm MOD- ULE	SIZE W X H X D
1150 DB 4-11 O	1150 DB 4-11 I	(36) 4 X 9	(72) 4 X 18	(52) 4 X 13	400 X 1150 X 300
1150 DB 5-11 O	1150 DB 5-11 I	(48) 4 X 12	(96) 4 X 24	(72) 4 X 18	500 X 1150 X 300
1150 DB 6-11 O	1150 DB 6-11 I	(60) 4 X 15	(120) 4 X 30	(84) 4 X 21	600 X 1150 X 300
1150 DB 8-11 O	1150 DB 8-11 I	(92) 4 X 23	(184) 4 X 46	(132) 4 X 33	800 X 1150 X 300

FABRICATION

- Material : 1.6mm Mild steel Door & 1.2mm Mild steel enclosure.
- Standard colours : (B26) Orange.
- Optional colours available.
- Code O : Enclosure is fitted with a roof, Code I : Enclosure is fitted with a top plate.

E & O.E. : Prices and design subject to change without notice

SPECIALS MADE TO ORDER



Van Wyk's Electrical (Pty)

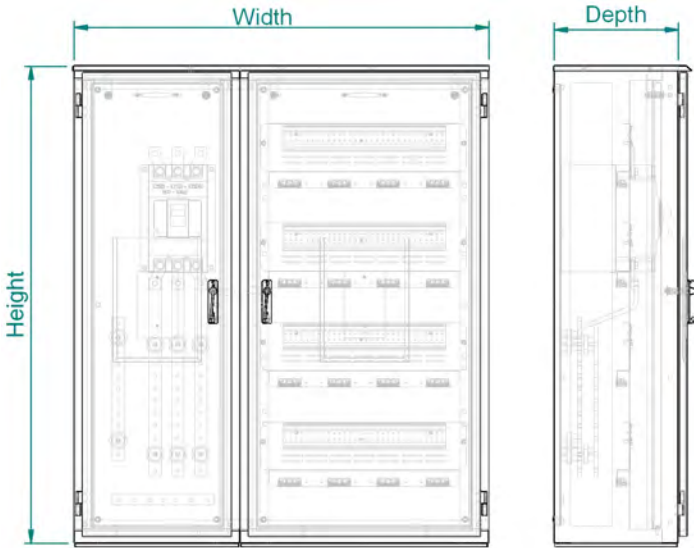
REG. Number 1983/007915/07
141 Station Rd
Brakpan
1541
www.vwe.co.za

P.O. Box 14534
Farrarmere
1518
TEL : 011 740 1238
FAX : 011 740 1268

Distribution Boards Combos IP65 - Construction

**DBC
RANGE**

WALLMOUNT PANELS



Comes with optional preconfigured copper for the following type breakers:

- GE : FG400 adjustable
- GE : FG630 adjustable

**Can be manufactured for any type of circuit breaker.
Copper set and breaker to be ordered separately.**

CODE OUTDOOR	CODE INDOOR	No. of Way HY-MAG C/B 5kA Minirail 26mm MODULE	No. of Way HY-MAG C/B 2.5kA Minirail 13mm MODULE	No. of Way DIN RAIL MOUNT Eg. M&G and HA- GAR 18mm MOD- ULE	SIZE W X H X D
-----------------	----------------	---	---	---	-------------------

DBC 1000 O	DBC 1000 I	(60) 4 X 15	(120) 4 X 30	(84) 4 X 21	1000 X 1150 X 300
DBC 1200 O	DBC 1200 I	(92) 4 X 23	(184) 4 X 46	(132) 4 X 33	1200 X 1150 X 300

COPPER SETS	COPPER DESCRIPTION	COPPER SIZE
DBCCS	Copper set for FG400/FG630	30 x 10

FABRICATION

- Material : 1.6mm Mild steel Door & 1.2mm Mild steel enclosure.
- Standard colours : (B26) Orange.
- Optional colours available.
- Code O : Enclosure is fitted with a roof, Code I : Enclosure is fitted with a top plate.

E & O.E. : Prices and design subject to change without notice

SPECIALS MADE TO ORDER



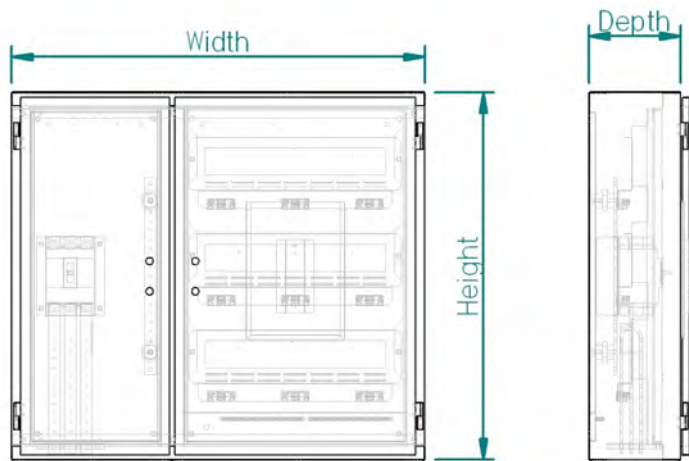
SDB - Range Enclosures IP54 - Construction



Van Wyk's Electrical (Pty)

REG. Number 1983/007915/07
141 Station Rd
Brakpan
1541
www.vwe.co.za

P.O. Box 14534
Farrarmere
1518
TEL : 011 740 1238
FAX : 011 740 1268



Indoor Only

This panel comes complete with copper and circuit breaker, and is designed exclusively for the indicated GE Record circuit breakers.

CODE	No. of Way HY-MAG C/B 5kA Minirail 26mm MODULE	No. of Way HY-MAG C/B 2.5kA Minirail 13mm MODULE	Incommer Breaker Code	SIZE W X H X D
SDB-125-160A	(45) 3 X 15	(90) 3 X 30	FEV36TA160KF	900 X 800 X 200
SDB-160-200A	(45) 3 X 15	(90) 3 X 30	FEV36TA200KF	900 X 800 X 200
SDB-200-250A	(45) 3 X 15	(90) 3 X 30	FEV36TA250KF	900 X 800 X 200
SDB-250A isolator	(45) 3 X 15	(90) 3 X 30	FEY306D250KF	900 X 800 X 200

FABRICATION

- Material : 1.6mm Mild steel.
- Standard colours : (B26) Orange and white.
- Optional colours available.
- Complete with adjustable incomer breaker and copper.

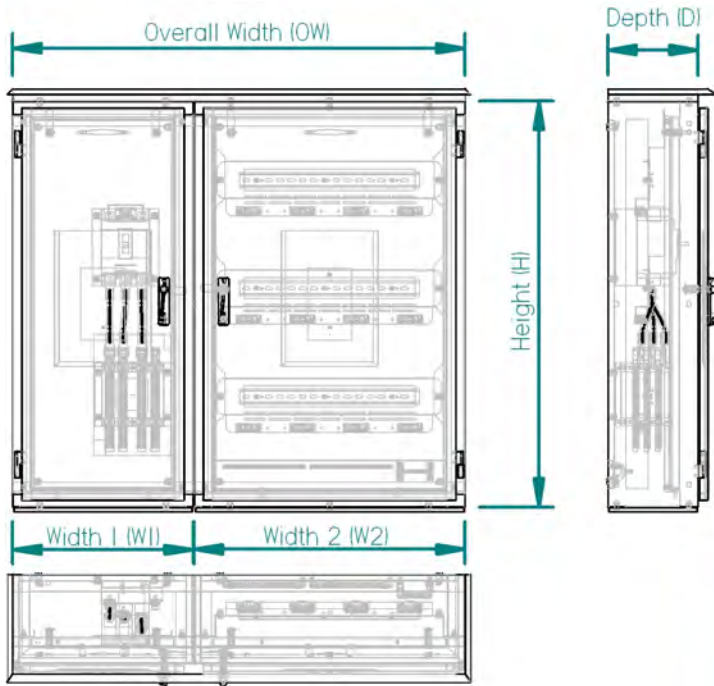
E & O.E. : Prices and design subject to change without notice

SPECIALS MADE TO ORDER

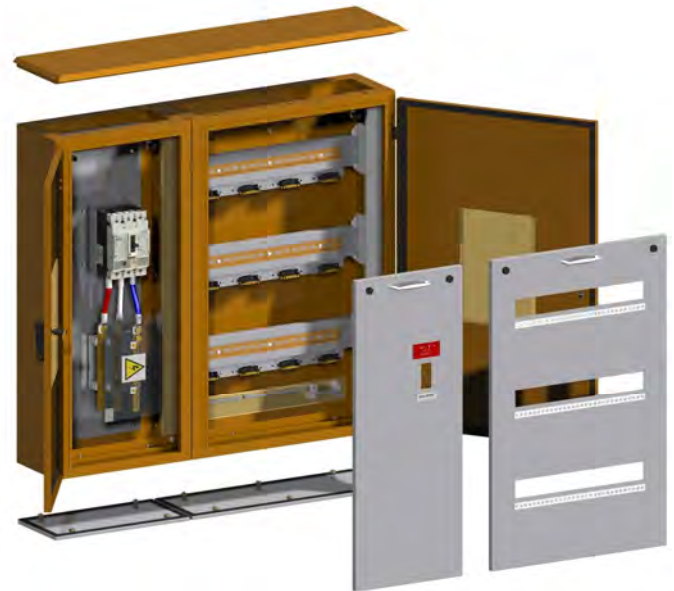
SCDB - Range Enclosures Weatherproof

IP65 - Construction

**SCDB
RANGE**



Weatherproof



Comes preconfigured to accommodate the following range of breakers :

- GE : FD Range up to 160A
- GE : FE Range up to 250A
- Onesto : KCM1-225S Range up to 250A
- Schneider : NSX 100-160-250
- CBI : JSO J25S

CODE	5kA Heineman (26mm Module)	2,5kA Heineman (13mm Module)	Din Rail Mounted (18mm Module)	Width 1 (W1)	Width 2 (W2)	SIZE OW X H X D
SCDB 449	(27 Way) 3 x 9	(54 Way) 3 x 18	(39 Way) 3 x 13	400	400	800 X 900 X 200
SCDB 459	(36 Way) 3 x 12	(72 Way) 3 x 24	(54 Way) 3 x 18	400	500	900 X 900 X 200
SCDB 469	(45 Way) 3 x 15	(90 Way) 3 x 30	(63 Way) 3 x 21	400	600	1000 X 900 X 200
SCDB 489	(69 Way) 3 x 23	(138 Way) 3 x 46	(99 Way) 3 x 33	400	800	1200 X 900 X 200

FABRICATION

- Material : 1.2mm Mild steel.
- Standard colours : (B26) Orange .
- Optional colours available.
- Preconfigured copper and tails available.
- Weatherproof.

E & O.E. : Prices and design subject to change without notice

SPECIALS MADE TO ORDER

**JDM
RANGE**

**JDM Distribution Boards
IP4X - Construction**

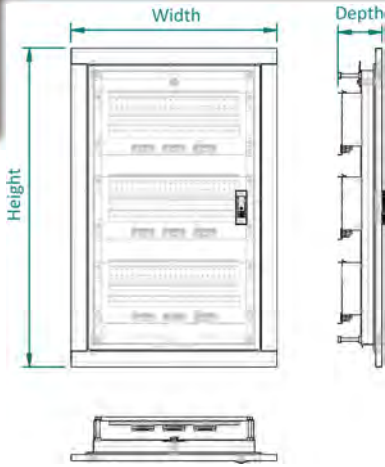


Van Wyk's Electrical (Pty)

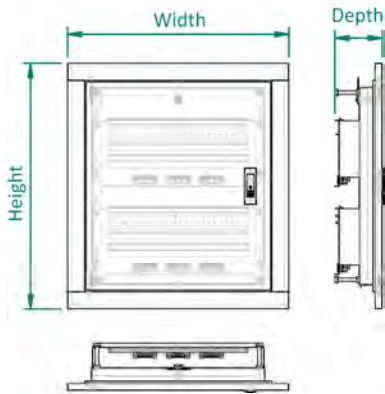
REG. Number 1983/007915/07
141 Station Rd
Brakpan
1541
www.vwe.co.za

P.O. Box 14534
Farrarmere
1518
TEL : 011 740 1238
FAX : 011 740 1268

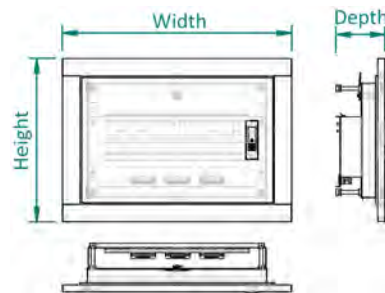
JDM 3



JDM 2



JDM 1



CODE	No. of Way HY-MAG C/B 5kA Minirail 26mm MODULE	No. of Way HY-MAG C/B 2.5kA Minirail 13mm MODULE	No. of Way DIN RAIL MOUNT Eg. M&G and HAGAR 18mm MODULE	SIZE W X H X D
JDM 1 DB	(12) 1 X 12	(24) 1 X 24	(18) 1 X 18	500 x 357 x 107
JDM 2 DB	(24) 2 X 12	(48) 2 X 24	(36) 2 X 18	500 x 557 x 107
JDM 3 DB	(36) 3 X 12	(72) 3 X 24	(54) 3 X 18	500 x 775 x 107

FABRICATION

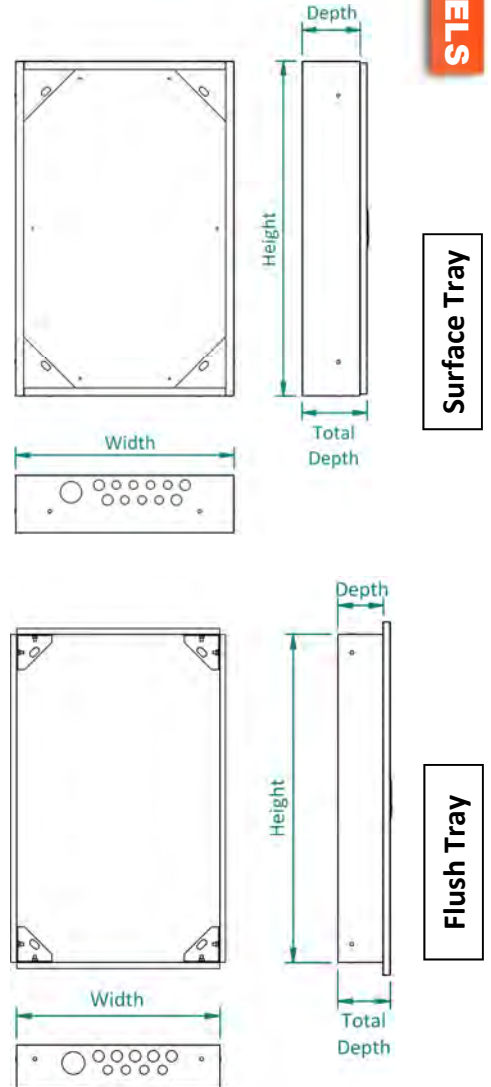
- Material : 1.2mm Mild steel.
- Standard colours : White
- Optional colours available.

E & O.E. : Prices and design subject to change without notice SPECIALS MADE TO ORDER

JDM DB's Surface & Flush Trays

**JDM
RANGE**

WALLMOUNT PANELS



CODE	DEPTH	WIDTH	HEIGHT	TOTAL DEPTH
JDM 1 Flush Tray	100	446	303	115
JDM 2 Flush Tray	100	446	503	115
JDM 3 Flush Tray	100	446	721	115
JDM 1 Surface Tray	135	508	365	151
JDM 2 Surface Tray	135	508	565	151
JDM 3 Surface Tray	135	508	783	151

FABRICATION

- Surface Tray Material : 1.2mm Mild steel - Flush Tray Material : 1.2mm Galvanized steel.
- Standard colours : White / Unpainted
- Optional colours available.

E & O.E. : Prices and design subject to change without notice

SPECIALS MADE TO ORDER

JB-S
RANGE

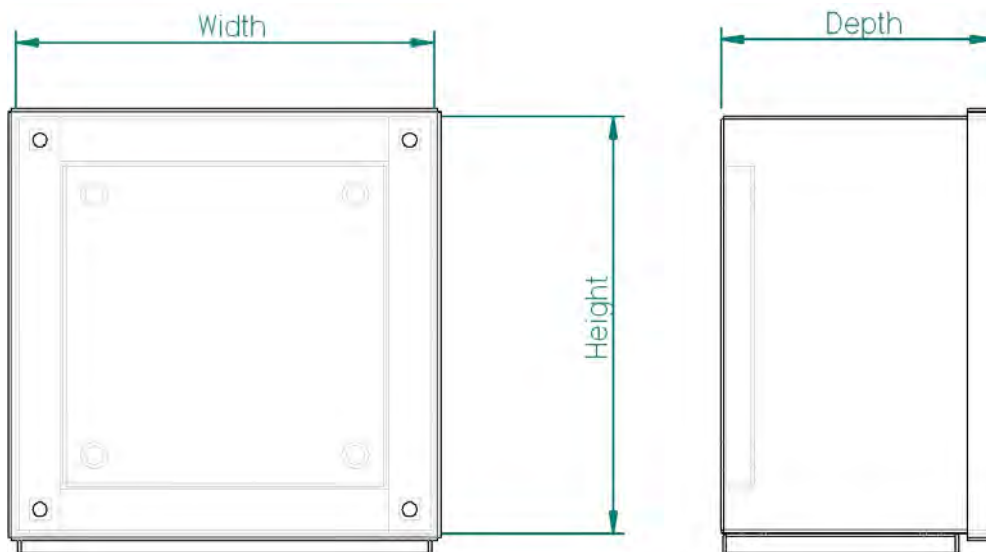
Junction Box-Standard Enclosures
Weatherproof



Van Wyk's Electrical (Pty)

REG. Number 1983/007915/07
141 Station Rd
Brakpan
1541
www.vwe.co.za

P.O. Box 14534
Farrarmere
1518
TEL : 011 740 1238
FAX : 011 740 1268



CODE	DEPTH	WIDTH	HEIGHT	CHASSIS SIZE
JB-S - (20-20-13)	130	200	200	155 X 155
JB-S - (20-30-13)	130	300	200	255 X 155

- Material : 1.6mm Mild steel.
- Standard colours : (B26) Orange.
- Optional colours available.
- Finish : Powder coated.

FABRICATION

E & O.E. : Prices and design subject to change without notice

SPECIALS MADE TO ORDER



Van Wyk's Electrical (Pty)

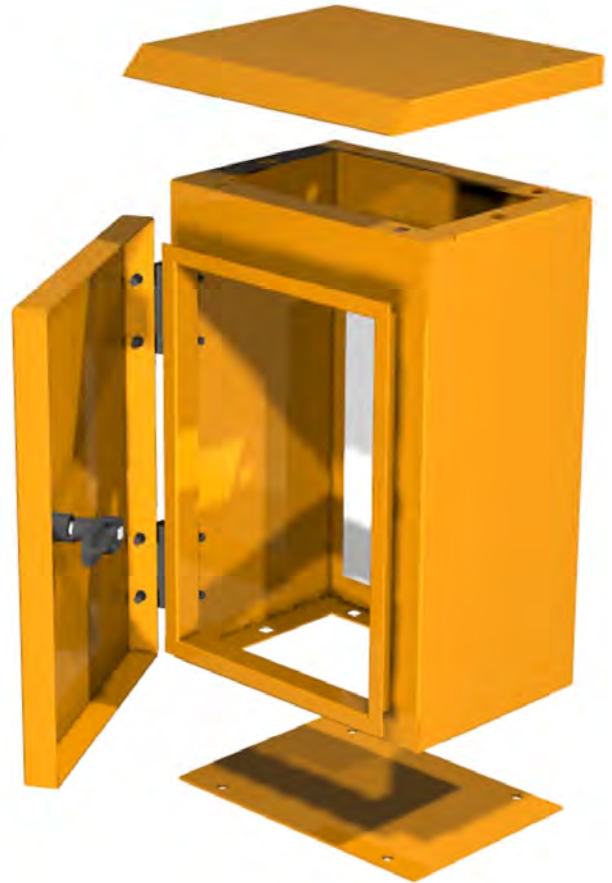
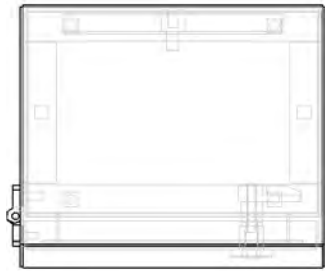
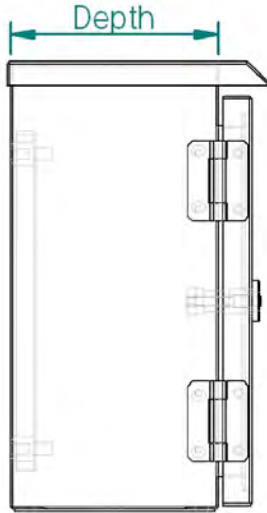
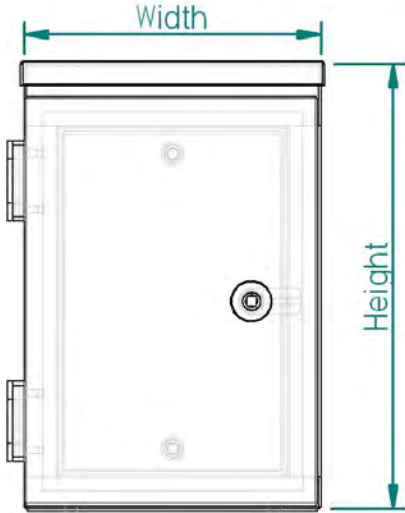
REG. Number 1983/007915/07
141 Station Rd
Brakpan 1541
www.vwe.co.za

P.O. Box 14534
Farrarmere 1518
TEL : 011 740 1238
FAX : 011 740 1268

Junction Box Hinged Range IP65 - Construction

JB-H
RANGE

WALLMOUNT PANELS



CODE	DEPTH	WIDTH	HEIGHT	CHASSIS SIZE
JB23H	140	200	300	229 X 149

FABRICATION
<ul style="list-style-type: none"> Material : 1.6mm Mild steel. Standard colours : (B26) Orange. Finish : Powder coated. Optional colours available.

E & O.E. : Prices and design subject to change without notice

SPECIALS MADE TO ORDER

**T-Board
RANGE**

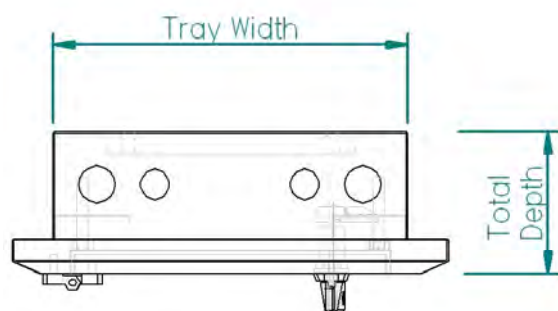
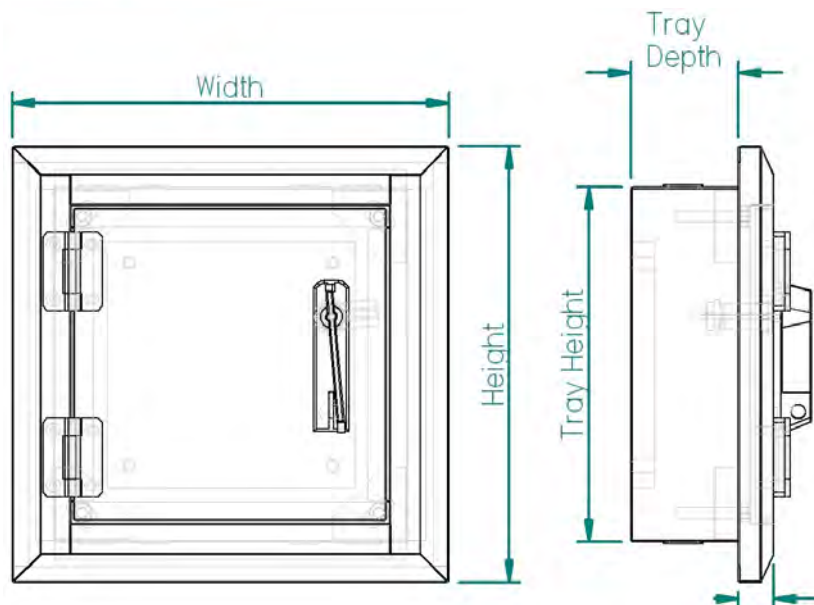
**Telephone Board Range
IP4X - Construction**



Van Wyk's Electrical (Pty)

REG. Number 1983/007915/07
141 Station Rd
Brakpan
1541
www.vwe.co.za

P.O. Box 14534
Farrarmere
1518
TEL : 011 740 1238
FAX : 011 740 1268



CODE	TRAY DEPTH	TRAY WIDTH	TRAY HEIGHT	WIDTH	HEIGHT	WOOD BLOCK SIZE
TB-(300-300-75)	75	244	244	300	300	170 x 170
TB-(400-400-75)	75	344	344	400	400	270 x 270
TB-(500-500-75)	75	444	444	500	500	370 x 370
TB-(600-600-75)	75	544	544	600	600	470 x 470

FABRICATION

- Material : 1.2mm Mild steel and 1.2mm galvanized steel.
- Standard colours : White.
- Optional colours available.

E & O.E. : Prices and design subject to change without notice

SPECIALS MADE TO ORDER



Van Wyk's Electrical (Pty)

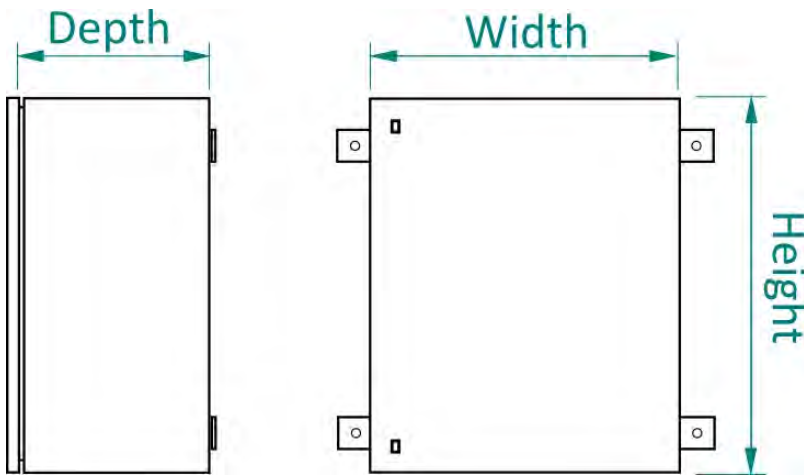
REG. Number 1983/007915/07
141 Station Rd
Brakpan
1541
www.wve.co.za

P.O. Box 14534
Farramere
1518
TEL : 011 740 1238
FAX : 011 740 1268

**Velo Range
IP65 - Construction**

**Velo
RANGE**

WALLMOUNT PANELS



CODE	DEPTH	WIDTH	HEIGHT	CHASSIS SIZE
V15-2520	150	200	250	200 x 150
V15-3025	150	250	300	250 x 200
V20-4030	200	300	400	350 x 250
V20-5040	200	400	500	450 x 350
V25-6050	250	500	600	550 x 450
V25-7050	250	500	700	650 x 450
V25-8060	250	600	800	750 x 550
V30-1008	300	800	1000	950 x 750
V30-1208	300	800	1200	1150 x 750

FABRICATION

- Material : Enclosure 1.2mm Mild Steel / Door 1.5mm Mild Steel
- Standard colour : Orange
- Includes mounting ears and glandplate
- No special cutouts

E & O.E. : Prices and design subject to change without notice

SPECIALS MADE TO ORDER

S
RANGE

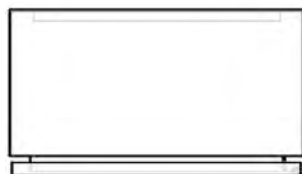
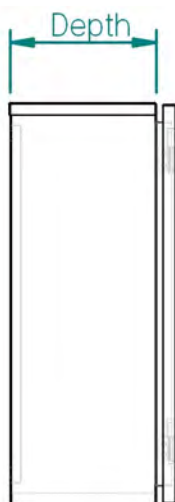
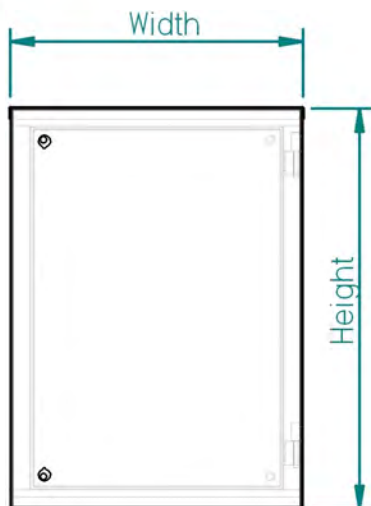
S-Range Enclosure
IP54 - Construction



Van Wyk's Electrical (Pty)

REG. Number 1983/007915/07
141 Station Rd
Brakpan
1541
www.vwe.co.za

P.O. Box 14534
Farrarmere
1518
TEL : 011 740 1238
FAX : 011 740 1268



CODE	DEPTH	WIDTH	HEIGHT	CHASSIS SIZE
S0	115	200	300	140 X 240
S1	145	250	350	190 X 290
S2	195	300	450	240 X 390
S3	195	400	550	340 X 490
S4	245	450	650	390 X 590
S5	245	550	750	490 X 690
S6	245	700	950	640 X 890
S7	245	850	1150	790 X 1090

FABRICATION

- Material : 1.6mm Mild steel.
- Standard colours : (B26) Orange.
- Optional colours available.
- Finish : Powder coated.

E & O.E. : Prices and design subject to change without notice

SPECIALS MADE TO ORDER



Van Wyk's Electrical (Pty)

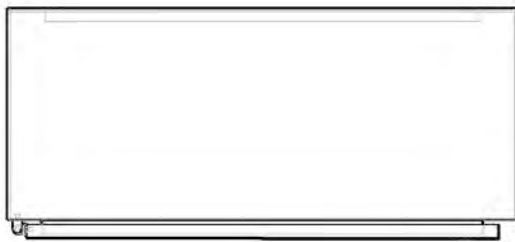
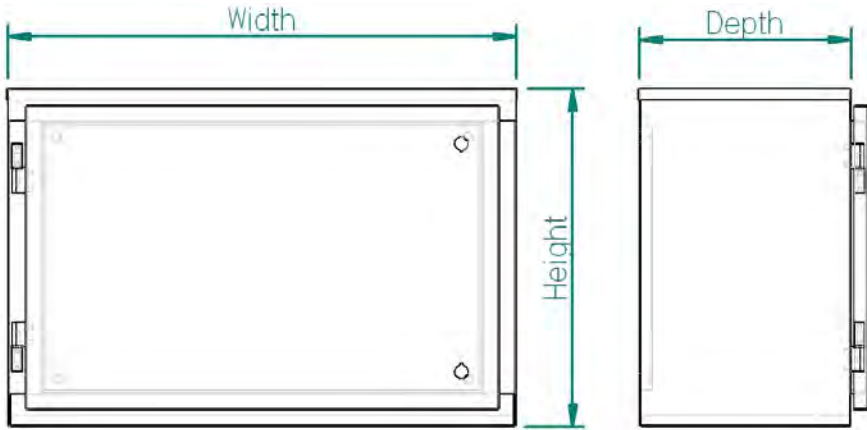
REG. Number 1983/007915/07
141 Station Rd
Brakpan
1541
www.vwe.co.za

P.O. Box 14534
Farrarmere
1518
TEL : 011 740 1238
FAX : 011 740 1268

Old S-Range-Standard Enclosures IP54 - Construction

**OS-S
RANGE**

WALLMOUNT PANELS



CODE	DEPTH	WIDTH	HEIGHT	CHASSIS SIZE
OS-S - (40-60-25)	250	600	400	515 X 315

FABRICATION

- Material : 1.6mm Mild steel.
- Standard colours : (RAL 7032) Siemens grey.
- Optional colours available.
- Finish : Powder coated.

E & O.E. : Prices and design subject to change without notice

SPECIALS MADE TO ORDER

**2D-PS
RANGE**

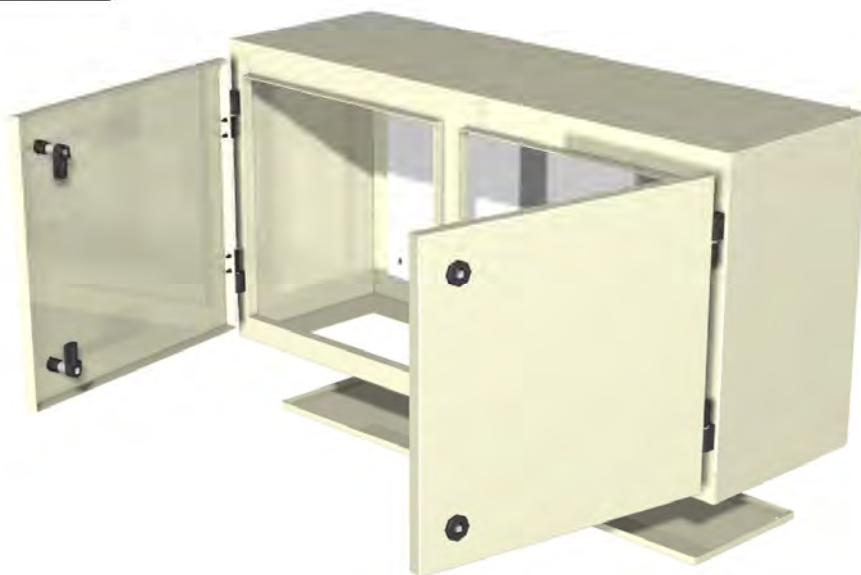
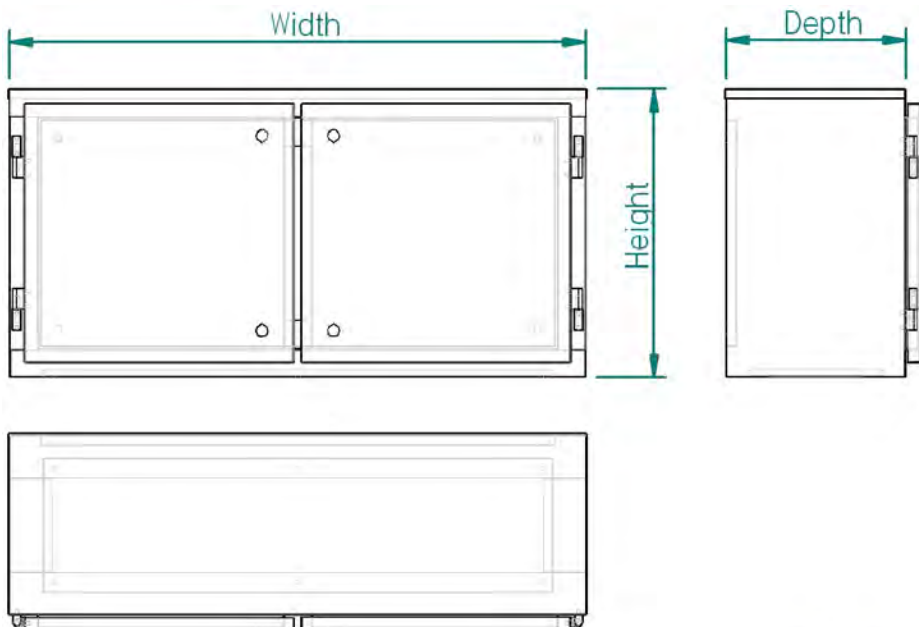
**Two Door—PS Enclosures
IP54 - Construction**



Van Wyk's Electrical (Pty)

REG. Number 1983/007915/07
141 Station Rd
Brakpan
1541
www.vwe.co.za

P.O. Box 14534
Farrarmere
1518
TEL : 011 740 1238
FAX : 011 740 1268



CODE	DEPTH	WIDTH	HEIGHT	CHASSIS SIZE
PS-Standard-2D - (40-80-25)	250	800	400	315 X 715
PS-Standard-2D - (50-80-25)	250	800	500	415 X 715
PS-Standard-2D - (50-100-25)	250	1000	500	415 X 915

- Material : 1.6mm Mild steel.
- Standard colours : Siemens grey.
- Optional colour files.
- Finish : Powder coated.

FABRICATION

E & O.E. : Prices and design subject to change without notice

SPECIALS MADE TO ORDER



Van Wyk's Electrical (Pty)

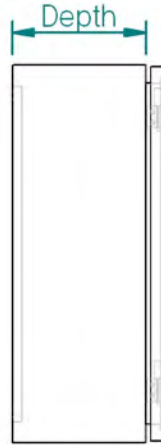
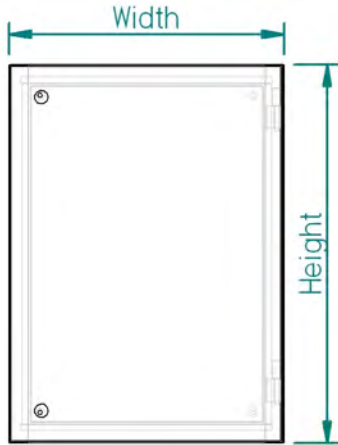
REG. Number 1983/007915/07
141 Station Rd
Brakpan
1541
www.vwe.co.za

P.O. Box 14534
Farrarmere
1518
TEL : 011 740 1238
FAX : 011 740 1268

SS-Range Stainless Steel Enclosures IP65 - Construction



STAINLESS STEEL PANELS



CODE	DEPTH	WIDTH	HEIGHT	CHASSIS SIZE
SS0	115	200	300	140 X 240
SS1	145	250	350	190 X 290
SS2	195	300	450	240 X 390
SS3	195	400	550	340 X 490
SS4	245	450	650	390 X 590
SS5	245	550	750	490 X 690
SS6	245	700	950	640 X 890
SS7	245	850	1150	790 X 1090

FABRICATION

- Material : 304 Stainless Steel.
- Finish : Linished.
- Stainless steel locks & hinges.

E & O.E. : Prices and design subject to change without notice

SPECIALS MADE TO ORDER



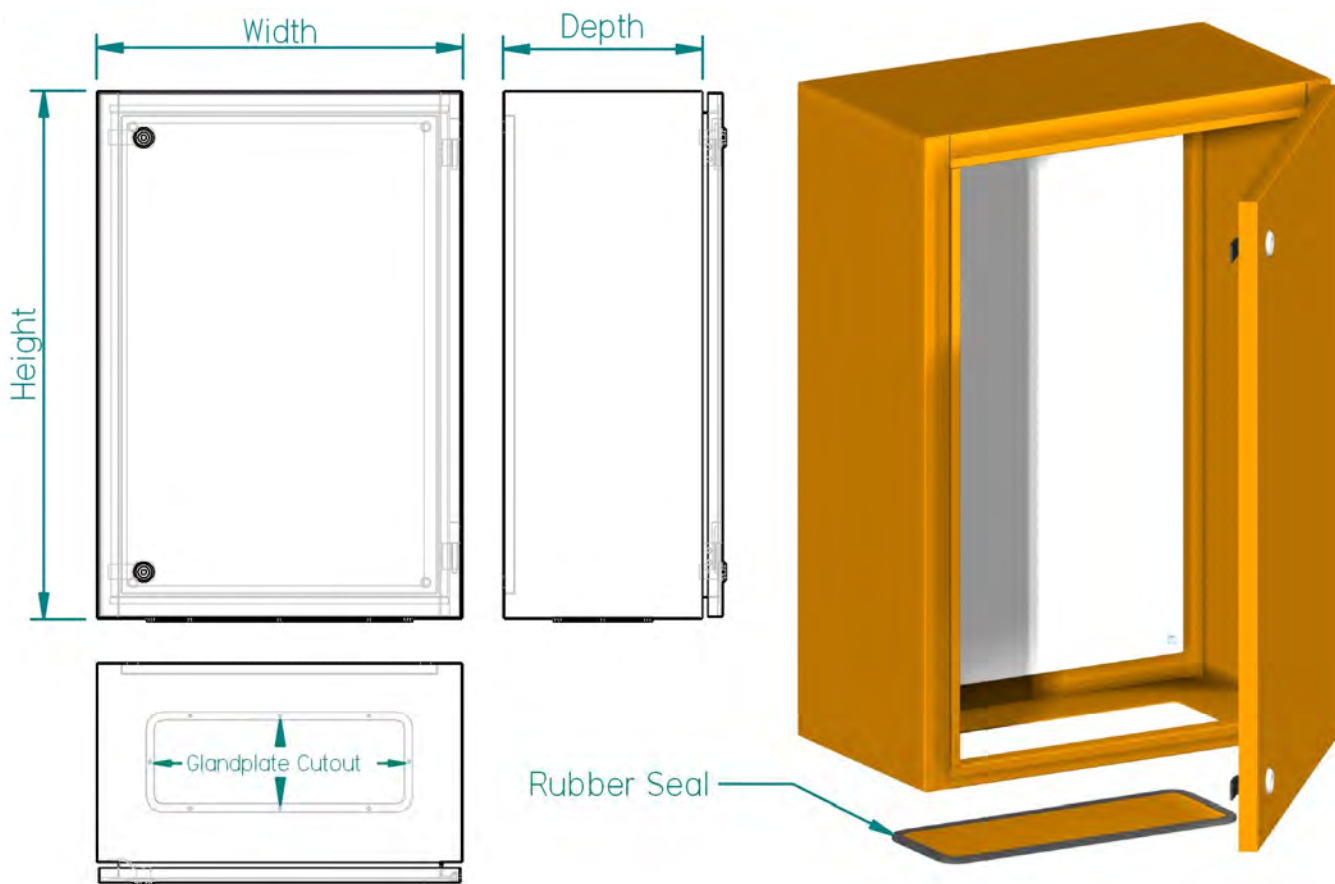
SCR-Range Enclosures IP65 - Construction



Van Wyk's Electrical (Pty)

REG. Number 1983/007915/07
141 Station Rd
Brakpan
1541
www.vwe.co.za

P.O. Box 14534
Farrarmere
1518
TEL : 011 740 1238
FAX : 011 740 1268



CODE	DEPTH	WIDTH	HEIGHT	GLANDPLATE CUTOUT SIZE	CHASSIS SIZE
SCR1	145	250	350	70 x 175 (1 off)	190 x 290
SCR2	195	300	450	70 x 175 (1 off)	240 x 390
SCR3	195	400	550	70 x 175 (1 off)	340 x 490
SCR325	250	400	550	70 x 175 (1 off)	340 x 490
SCR4	245	450	650	102 x 307 (1 off)	390 x 590
SCR43	300	450	650	102 x 307 (1 off)	390 x 590
SCR5	245	550	750	102 x 407 (1 off)	490 x 690
SCR53	300	550	750	102 x 407 (1 off)	490 x 690
SCR6	245	700	950	102 x 407 (1 off)	640 x 890
SCR635	350	700	950	102 x 407 (1 off)	640 x 890
SCR7	245	850	1150	102 x 307 (2 off)	790 x 1090
SCR74	400	850	1150	102 x 307 (2 off)	790 x 1090

FABRICATION

- Material : 1.6mm 3CR12
- Standard colours : (B26) Orange.
- Optional colours available.
- Finish : Powder coated.

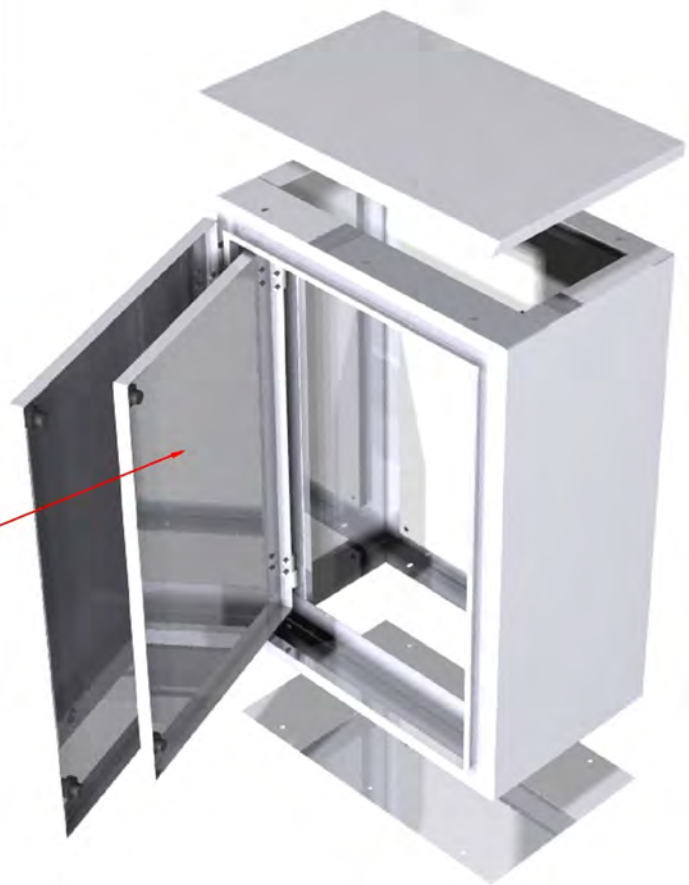
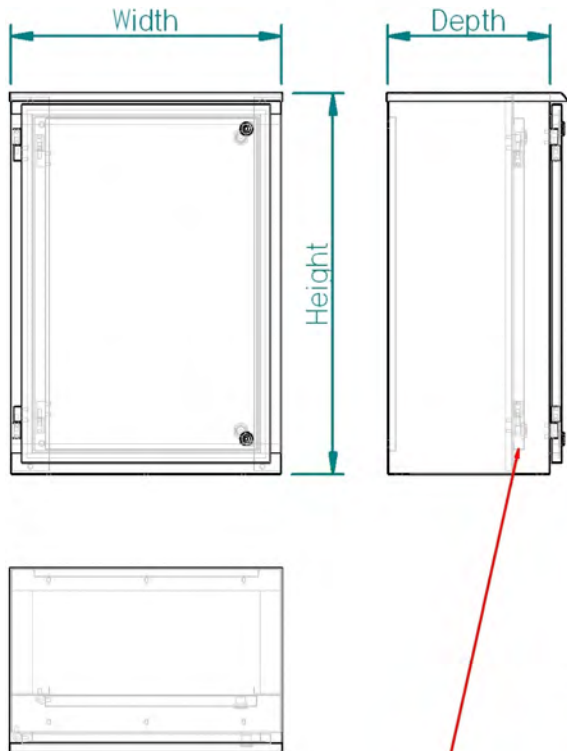
E & O.E. : Prices and design subject to change without notice

SPECIALS MADE TO ORDER

SRG-Range Stainless Steel Enclosures IP65 - Construction



STAINLESS STEEL PANELS



*Stainless steel /
Mild steel innerdoor*

CODE	DEPTH	WIDTH	HEIGHT	CHASSIS SIZE
SRG 46	250	400	600	315 X 515
SRG 57	300	500	700	415 X 615
SRG 68	300	600	800	515 X 715
SRG 811	300	800	1100	715 X 1015

FABRICATION

- Material : 304 Stainless Steel.
- Finish : Linished.
- Innerdoor can be stainless steel or mild steel painted, mild steel is used to speed up custom cutouts on inner door.
- Innerdoor to be specified on order.

E & O.E. : Prices and design subject to change without notice

SPECIALS MADE TO ORDER



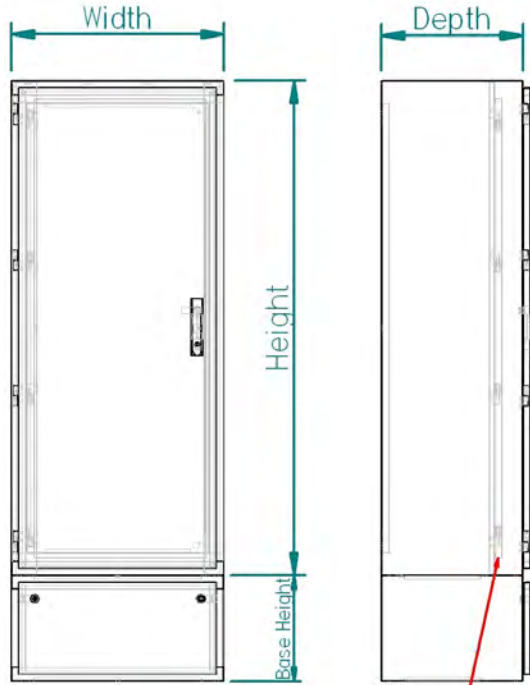
SS-F - Stainless Steel Range Enclosures
IP65 - Construction



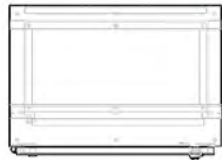
Van Wyk's Electrical (Pty)

REG. Number 1983/007915/07
 141 Station Rd
 Brakpan
 1541
 www.vwe.co.za

P.O. Box 14534
 Farrarmere
 1518
 TEL : 011 740 1238
 FAX : 011 740 1268



*Stainless steel /
 Mild steel innerdoor*



CODE	DEPTH	WIDTH	HEIGHT	BASE HEIGHT	CHASSIS SIZE
SSF 14-6-4	400	600	1400	300	1272 X 515
SSF 14-8-5	500	800	1400	300	1272 X 715
SSF 14-10-5	500	1000	1400	300	1272 X 915

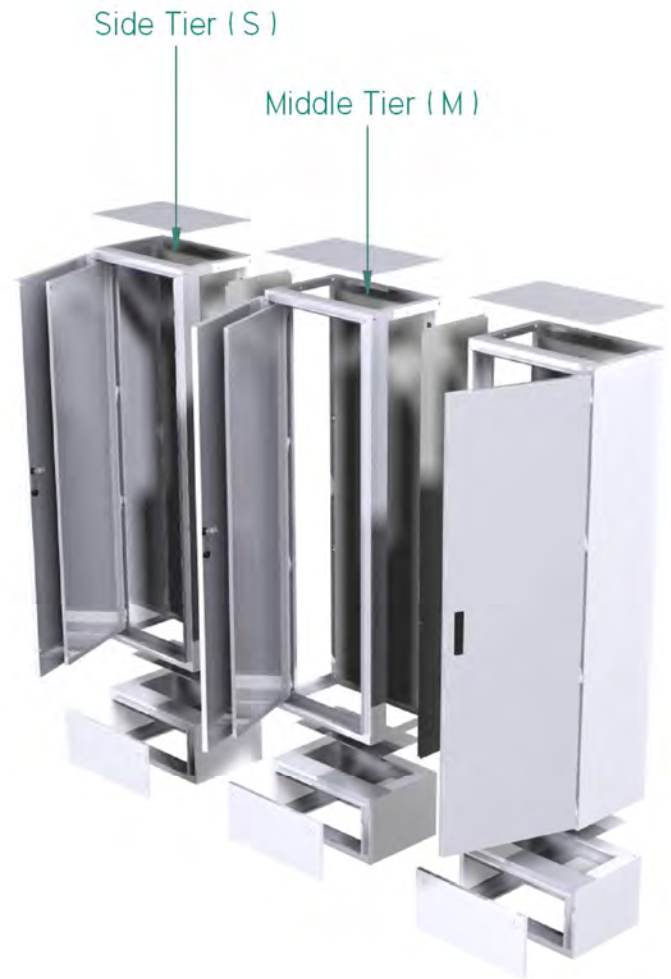
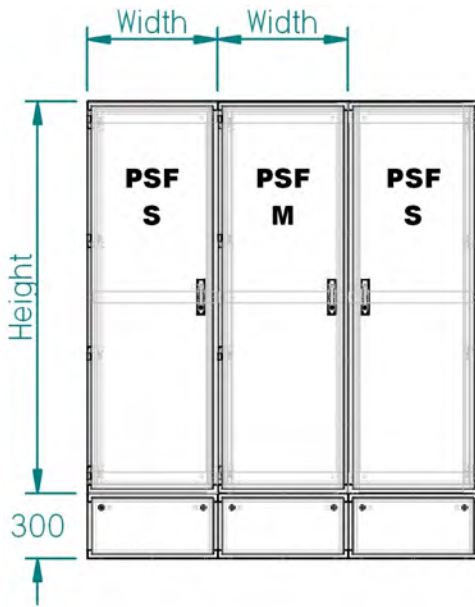
FABRICATION

- Material : 304 Stainless Steel.
- Finish : Linished.
- Innerdoor can be stainless steel or mild steel painted, mild steel is used to speed up custom cutouts on inner door.
- Innerdoor to be specified on order.

E & O.E. : Prices and design subject to change without notice

SPECIALS MADE TO ORDER

**Process Stainless Floorstanding-Range
IP65 - Construction**



CODE	DEPTH	WIDTH	HEIGHT	CHASSIS SIZE
PSF-S6	400	600	1800	1710 X 510
PSF-M6	400	600	1800	1710 X 510
PSF-S8	400	800	1800	1710 X 710
PSF-M8	400	800	1800	1710 X 710

FABRICATION

- Material : 304 Stainless steel.
- Finish : Linished
- Innerdoor can be stainless steel or mild steel painted, mild steel is used to speed up custom cutouts on inner door.
- Innerdoor to be specified on order.

E & O.E. : Prices and design subject to change without notice

SPECIALS MADE TO ORDER



Universal Range—Single Front Door with Back Cover

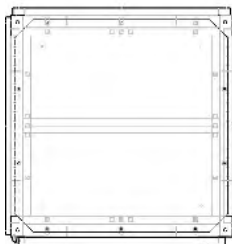
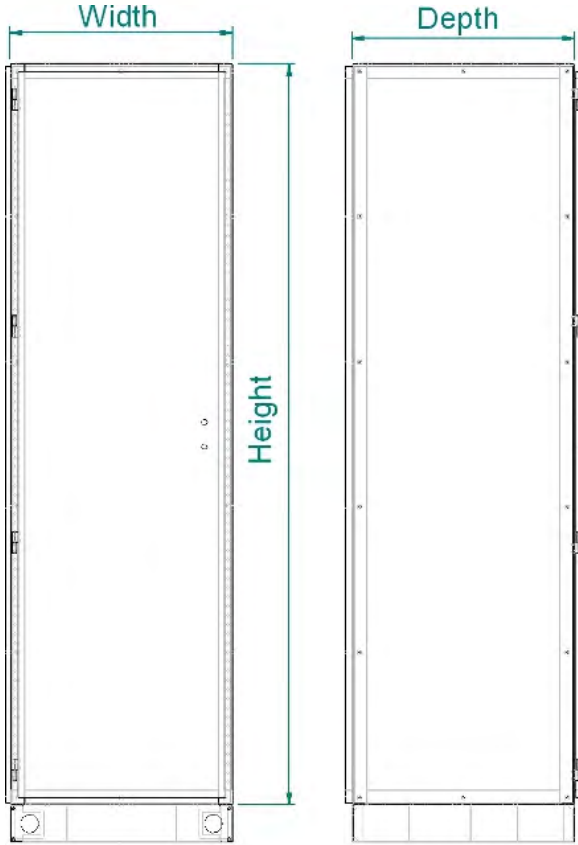
IP42 - Construction



Van Wyk's Electrical (Pty)

REG. Number 1983/007915/07
 141 Station Rd
 Brakpan
 1541
 www.vwe.co.za

P.O. Box 14534
 Farrermere
 1518
 TEL : 011 740 1238
 FAX : 011 740 1268



CODE	DEPTH	WIDTH	HEIGHT
USF-20-4-6	600	400	2000
USF-20-6-6	600	600	2000
USF-20-6-8	800	600	2000
USF-20-8-6	600	800	2000

FABRICATION

- Material : 2mm Mild steel.
- Standard colours : (B26) Orange .
- Please phone for availability.
- Combinations made to order.
- Finish : Powder coated.

E & O.E. : Prices and design subject to change without notice

SPECIALS MADE TO ORDER



Van Wyk's Electrical (Pty)

REG. Number 1983/007915/07
141 Station Rd
Brakpan
1541
www.vwe.co.za

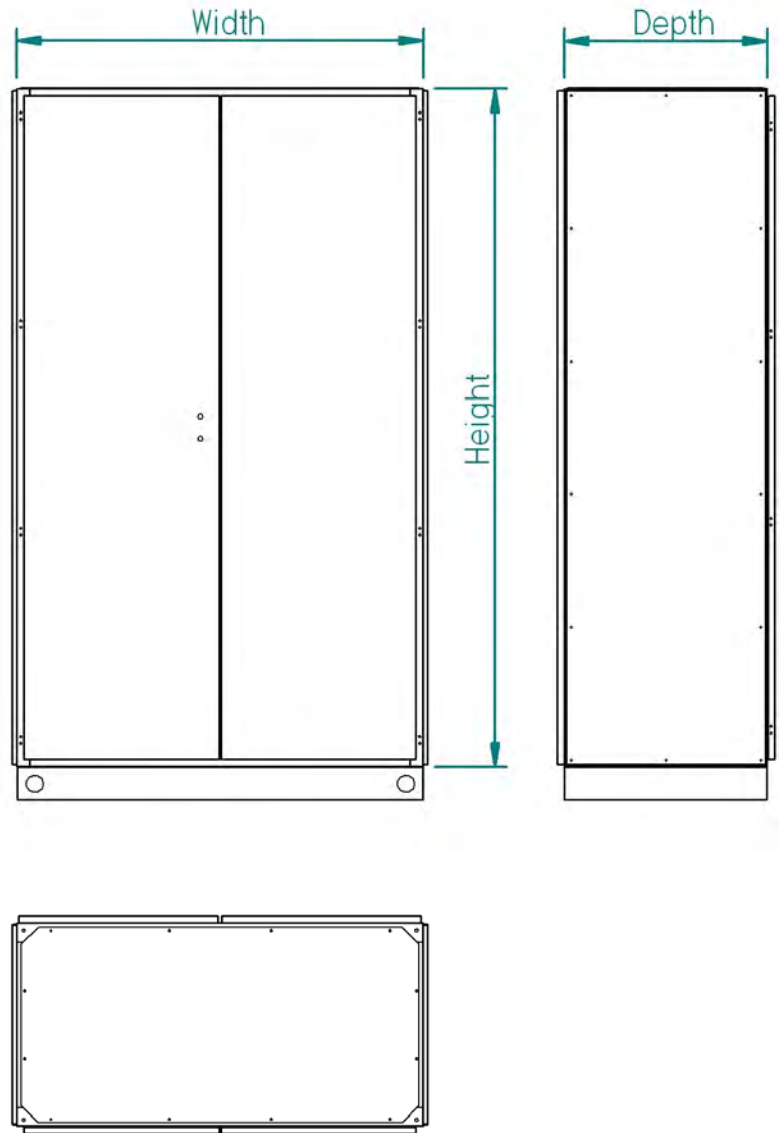
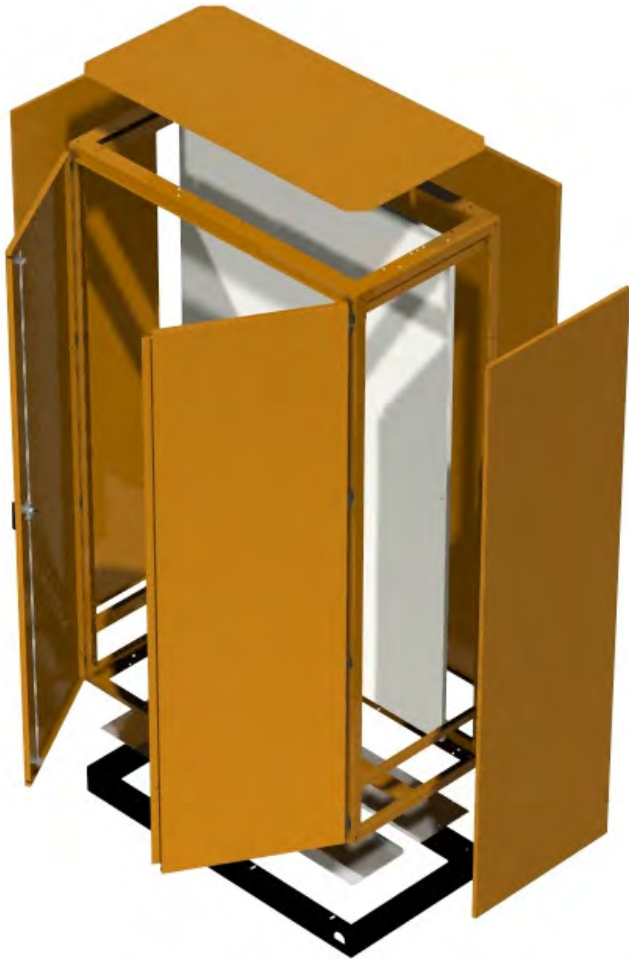
P.O. Box 14534
Farrarmere
1518
TEL : 011 740 1238
FAX : 011 740 1268

Universal Range—Double Front Door with Back Cover

IP42 - Construction



FLOOR STANDING PANELS



CODE	DEPTH	WIDTH	HEIGHT
UDF-20-8-8	800	800	2000
UDF-20-9-6	600	900	2000
UDF-20-12-6	600	1200	2000

FABRICATION

- Material : 2mm Mild steel.
- Standard colours : (B26) Orange .
- Please phone for availability.
- Combinations made to order.
- Finish : Powder coated.

E & O.E. : Prices and design subject to change without notice

SPECIALS MADE TO ORDER



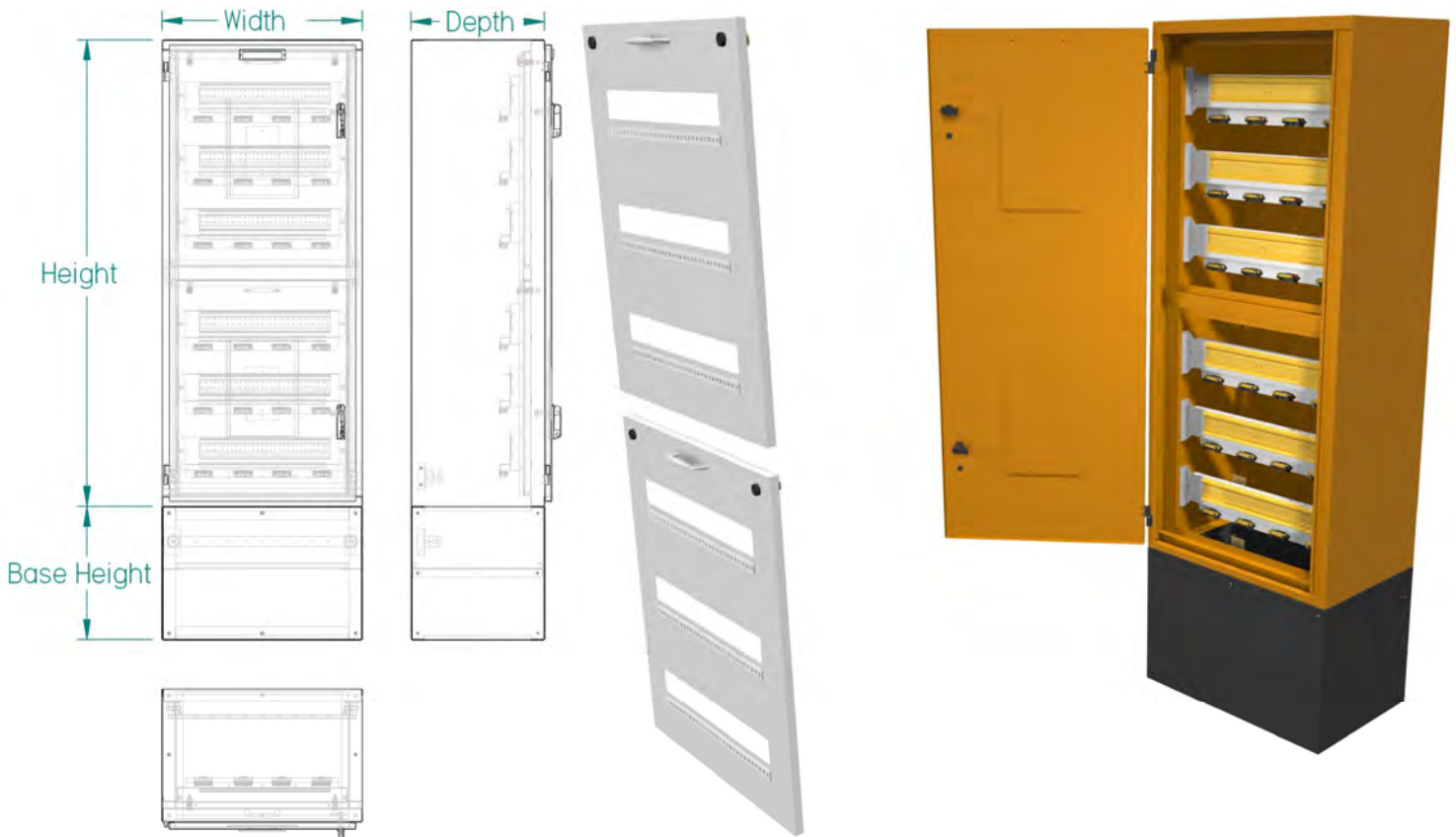
LVW - Range Enclosures IP65 - Construction



Van Wyk's Electrical (Pty)

REG. Number 1983/007915/07
141 Station Rd
Brakpan
1541
www.vwe.co.za

P.O. Box 14534
Farrarmere
1518
TEL : 011 740 1238
FAX : 011 740 1268



CODE	5kA Heineman (26mm Module)	2,5kA Heineman (13mm Module)	Din Rail Mounted (18mm Module)	WIDTH	BASE HEIGHT	HEIGHT	DEPTH
LVW44	(54 Way) 6 x 9	(108 Way) 6 x 18	(78 Way) 6 x 13	400	400	1400	400
LVW45	(72 Way) 6 x 12	(144 Way) 6 x 24	(108 Way) 6 x 18	500	400	1400	400
LVW46	(90 Way) 6 x 15	(180 Way) 6 x 30	(126 Way) 6 x 21	600	400	1400	400
LVW48	(138 Way) 6 x 23	(276 Way) 6 x 46	(198 Way) 6 x 33	800	400	1400	400

FABRICATION

- Material : 1.6mm Mild steel.
- Standard colours : (B26) Orange .
- Optional colours available.
- Complete with preconfigured copper and tails.
- Weatherproof.

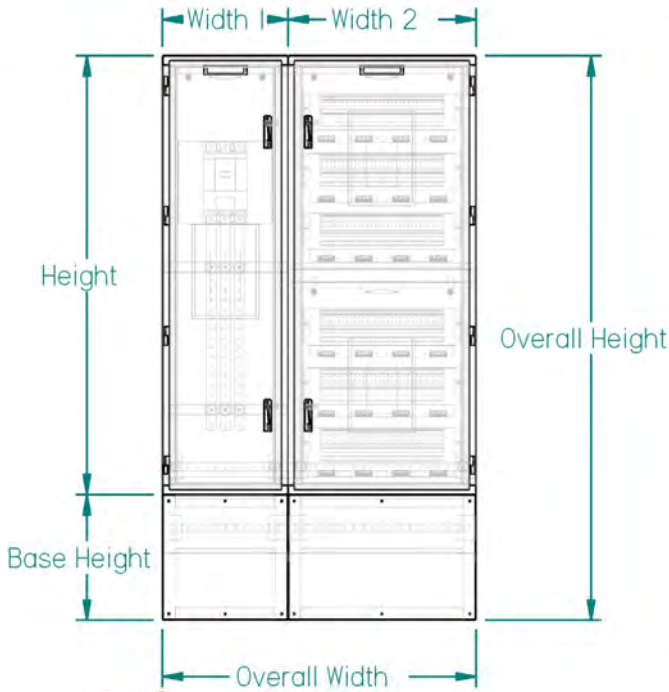
E & O.E. : Prices and design subject to change without notice

SPECIALS MADE TO ORDER

LVC - Range Enclosures IP65 - Construction

**LVC
RANGE**

FLOOR STANDING PANELS



Comes with optional preconfigured copper for the following type breakers:

- GE : FG400 adjustable
- GE : FG630 adjustable

Can be manufactured for any type of circuit breaker.
Copper set and breaker to be ordered separately.

CODE	5kA Heineman (26mm Module)	2,5kA Heineman (13mm Module)	Din Rail Mounted (18mm Module)	WIDTH 1	WIDTH 2	BASE HEIGHT	HEIGHT	SIZE OW X OH X D
------	-------------------------------	---------------------------------	-----------------------------------	------------	------------	----------------	--------	---------------------

LVC 1000	(90 Way) 6 x 15	(180 Way) 6 x 30	(126 Way) 6 x 21	400	600	400	1400	1000 X 1800 X 400
LVC 1200	(138 Way) 6 x 23	(276 Way) 6 x 46	(198 Way) 6 x 33	400	800	400	1400	1200 X 1800 X 400

COPPER SETS	COPPER DESCRIPTION	COPPER SIZE
LVCCS	Copper set for FG400/FG630	30 x 10

FABRICATION

- Material : 1.6mm Mild steel.
- Standard colours : (B26) Orange .
- Optional colours available.
- Preconfigured copper and tails available.
- Weatherproof.

E & O.E. : Prices and design subject to change without notice

SPECIALS MADE TO ORDER



Van Wyk's Electrical

141 Station Road P.O. Box 14534
Brakpan Farrarmere
1541 1518
Tel : 011 740 1238 Fax : 011 740 1268
www.vwe.co.za sales@vwe.co.za

Aria



IP66

Multipurpose polyester cabinets
IP66 - IK10
UL - CSA - AS
In self extinguishing and halogen-free
polyester. Maintenance-free and
corrosion-resistant
Seven sizes, from 315 x 215 x 170 mm
up to 1035 x 835 x 300 mm.

Polycarb Versatile Range

APO

Modular polyester boxes
IP67 - IK10
UL - CSA - AS - Lloyd's
Nine basic enclosures from
185 x 150 x 130 mm
up to 600 x 600 x 175 mm.



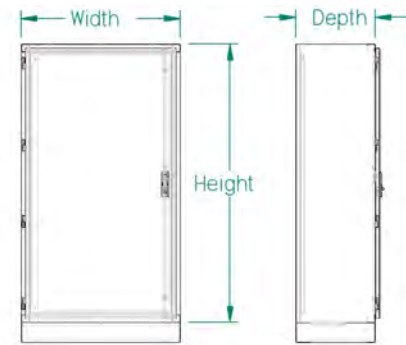
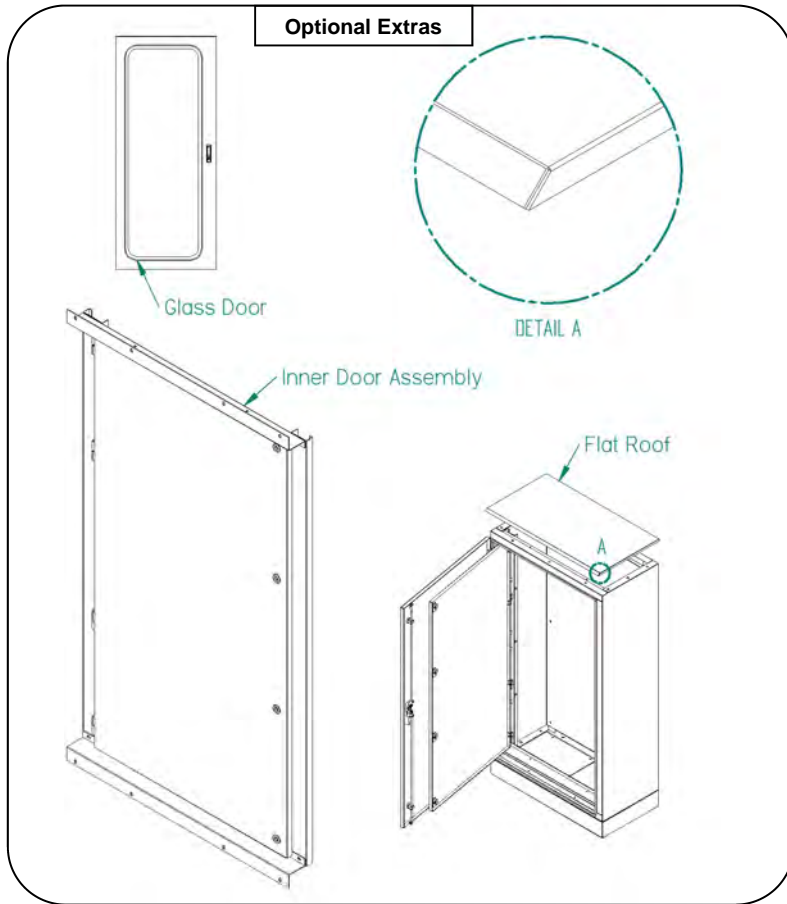
IP67

Phone us for more info!

FW-Range Floor Standing Panels IP65 - Construction



FLOOR STANDING PANELS



Inner Door, Glass Door and Flat Roof available as optional extras

CODE	HEIGHT EXCLUDING PLINTH	WIDTH	DEPTH	CHASSIS SIZE
FW-20-10-6	2000	1000	600	1910 x 910
FW-18-8-6	1800	800	600	1710 X 710
FW-18-8-4	1800	800	400	1710 X 710
FW-16-6-4	1600	600	400	1510 X 510
FW-14-8-4	1400	800	400	1310 X 710
FW-IDA-20-10-6	2000	1000	600	1910 x 910
FW-IDA-18-8-6	1800	800	600	1710 X 710
FW-IDA-18-8-4	1800	800	400	1710 X 710
FW-IDA-16-6-4	1600	600	400	1510 X 510
FW-IDA-14-8-4	1400	800	400	1310 X 710

FABRICATION

- Material : 2mm Mild steel with 3 fixed sides.
- Standard colours : (B26) Orange.
- Optional colours available.
- Includes 100mm plinth, fixed chassis plate, removable top and bottom glandplate, lockable 3 point leverlock system,

E & O.E. : Prices and design subject to change without notice

SPECIALS MADE TO ORDER

BOA RANGE

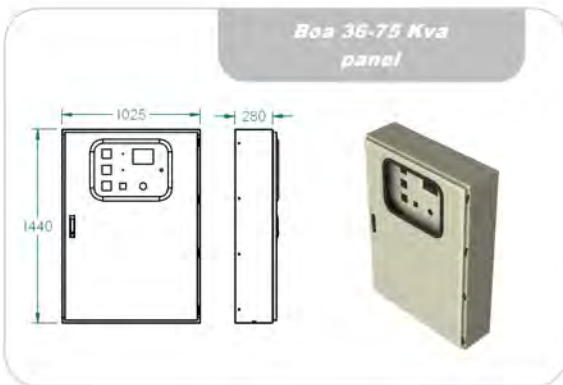
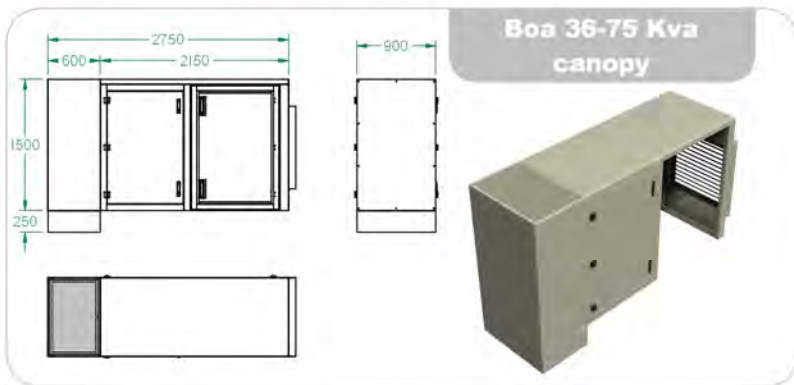
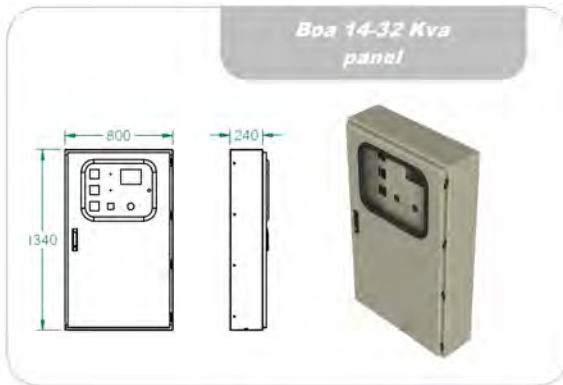
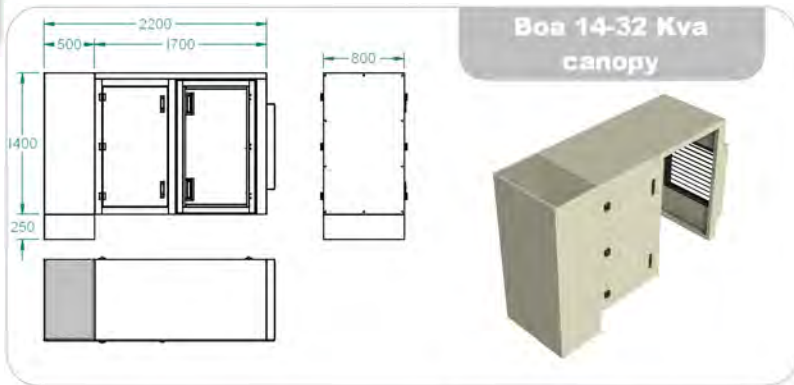
Sound Attenuated Canopies



Van Wyk's Electrical (Pty)

REG. Number 1983/007915/07
141 Station Rd
Brakpan
1541
www.vwe.co.za

P.O. Box 14534
Farrarmere
1518
TEL : 011 740 1238
FAX : 011 740 1268



boa canopies

CODE	DEPTH	WIDTH	HEIGHT
Boa 14-32 Kva Canopy	2200	800	1400
Boa 36-75 Kva Canopy	2750	900	1500
Boa 85-132 Kva Canopy	3300	1000	1600
Boa 150-250 Kva Canopy	3550	1200	1700
Boa 270-400 Kva Canopy	4050	1300	1800

boa canopy panels

CODE	DEPTH	WIDTH	HEIGHT
Boa 14-32 Kva Panel	240	800	1340
Boa 36-75 Kva Panel	280	1025	1440
Boa 85-132 Kva Panel	300	833	1540
Boa 150-250 Kva Panel	400	900	1640
Boa 270-400 Kva Panel	450	1033	1740

FABRICATION

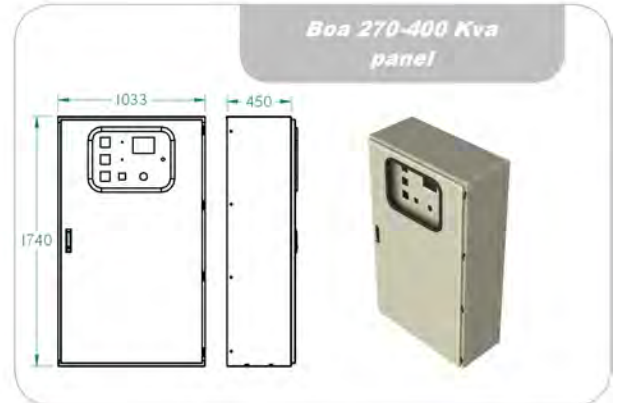
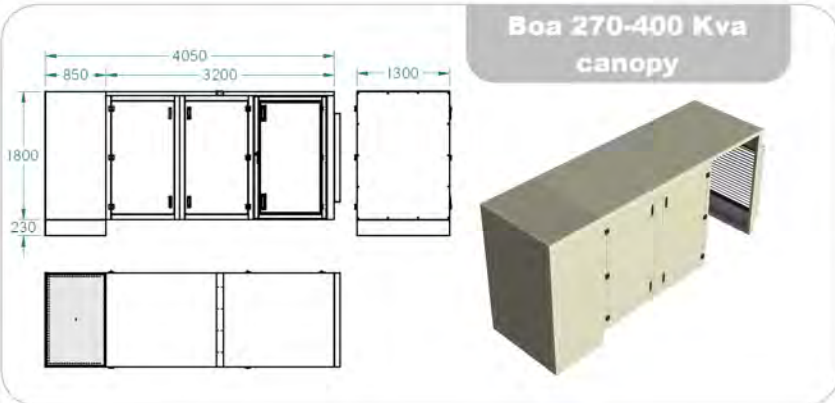
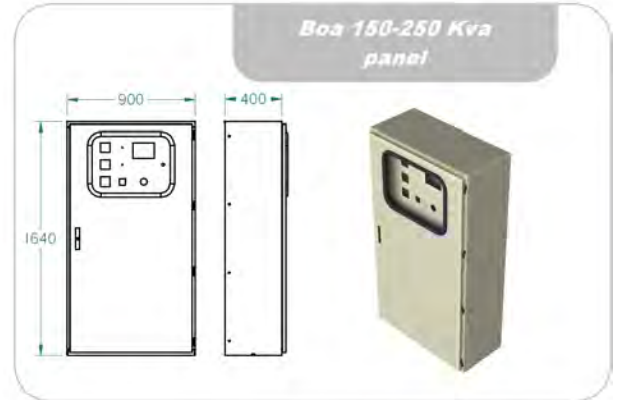
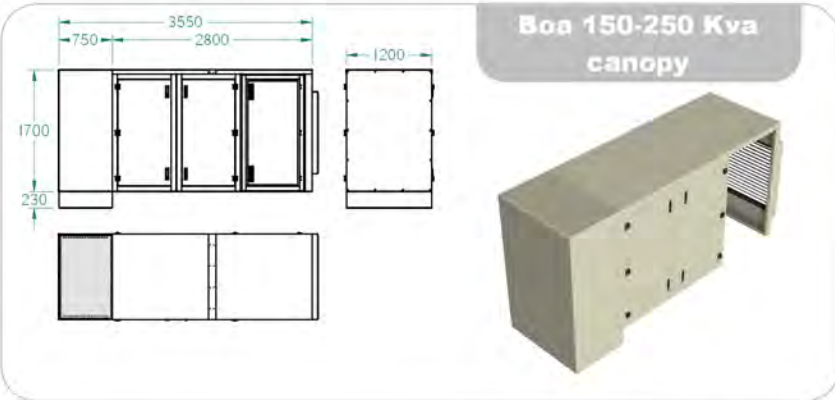
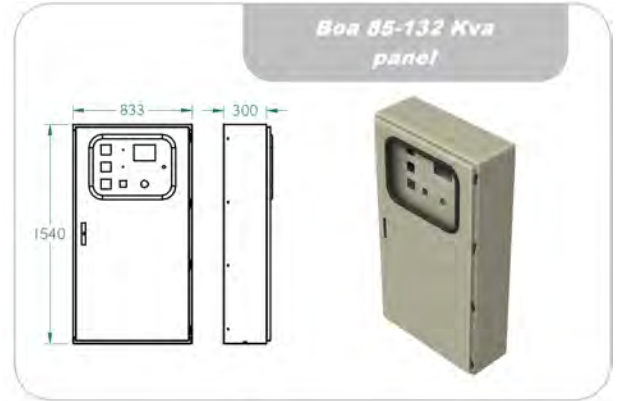
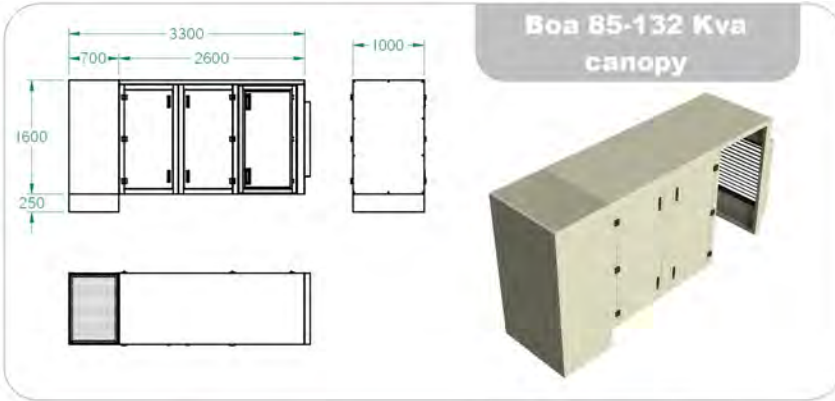
- Material : 2mm Mild steel.
- Standard colours : Siemens grey.
- Tanks sold separately.
- Finish : Powder coated.

E & O.E. : Prices and design subject to change without notice

SPECIALS MADE TO ORDER

Sound Attenuated Canopies

BOA RANGE



VWE
Weatherproof
Canopies
&
Tanks

Weatherproof Canopies & Tanks

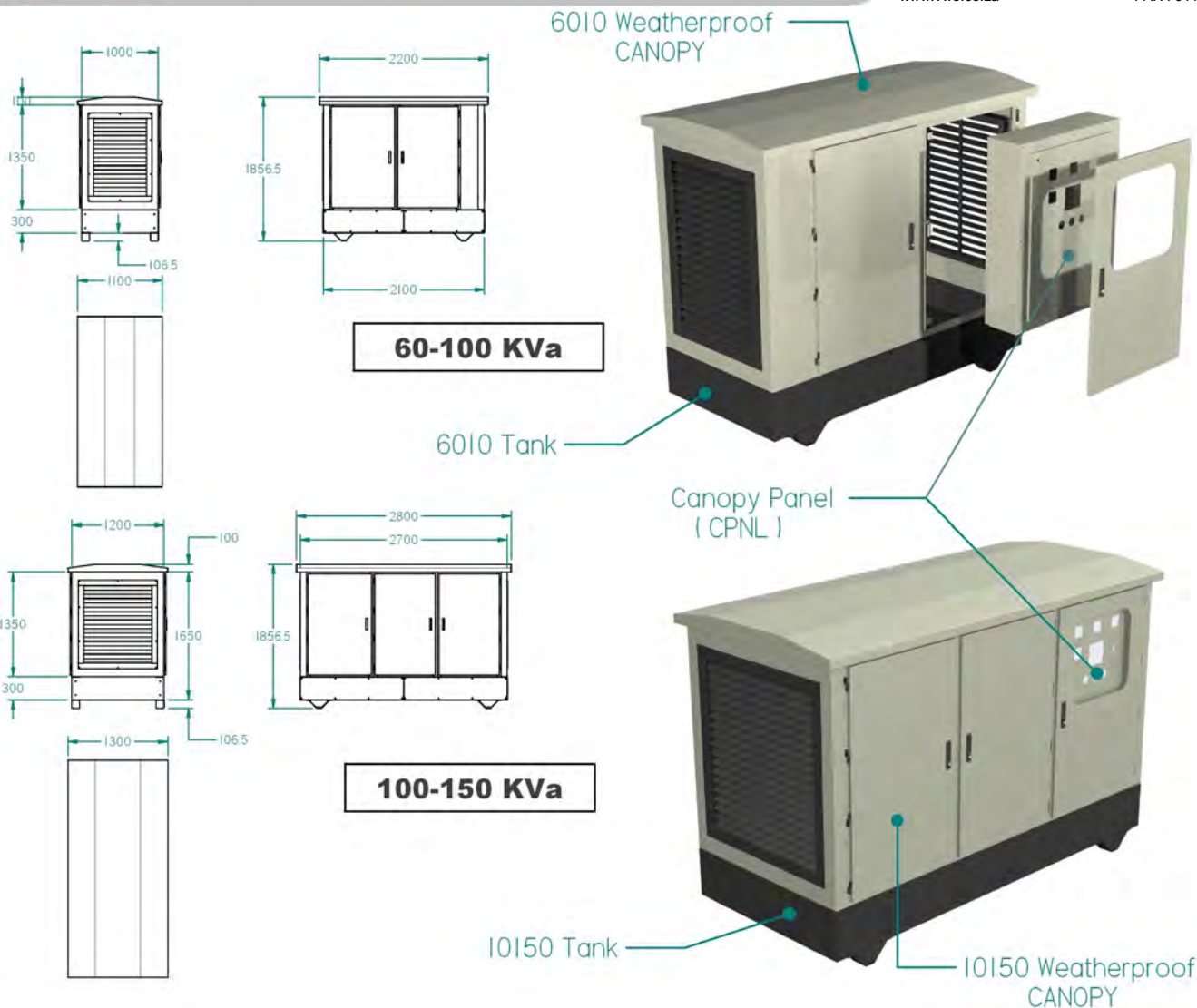
IP65 - Construction



Van Wyk's Electrical (Pty)

REG. Number 1983/007915/07
141 Station Rd
Brakpan
1541
www.vwe.co.za

P.O. Box 14534
Farrarmere
1518
TEL : 011 740 1238
FAX : 011 740 1268



CODE	DEPTH	WIDTH	HEIGHT
60-100 KVA Canopy : Weatherproof incl Panel	2100	1000	1350
60-100 KVA Canopy : Sound Attenuated incl. Panel*	2100	1000	1350
60-100 KVA Tank	2100	1000	300
100-150 KVA Canopy : Weatherproof incl. Panel	2700	1200	1350
100-150 KVA Canopy : Soud attenuated incl. Panel *	2700	1200	1350
100-150 KVA Tank	2700	1200	300
CPNL	250	870	1100

FABRICATION

- Material : 2mm Mild steel.
- Standard colours : Ocean grey with black tank and louvres.
- Optional colours available.
- Finish : Powder coated.

* Excludes soundproofing material

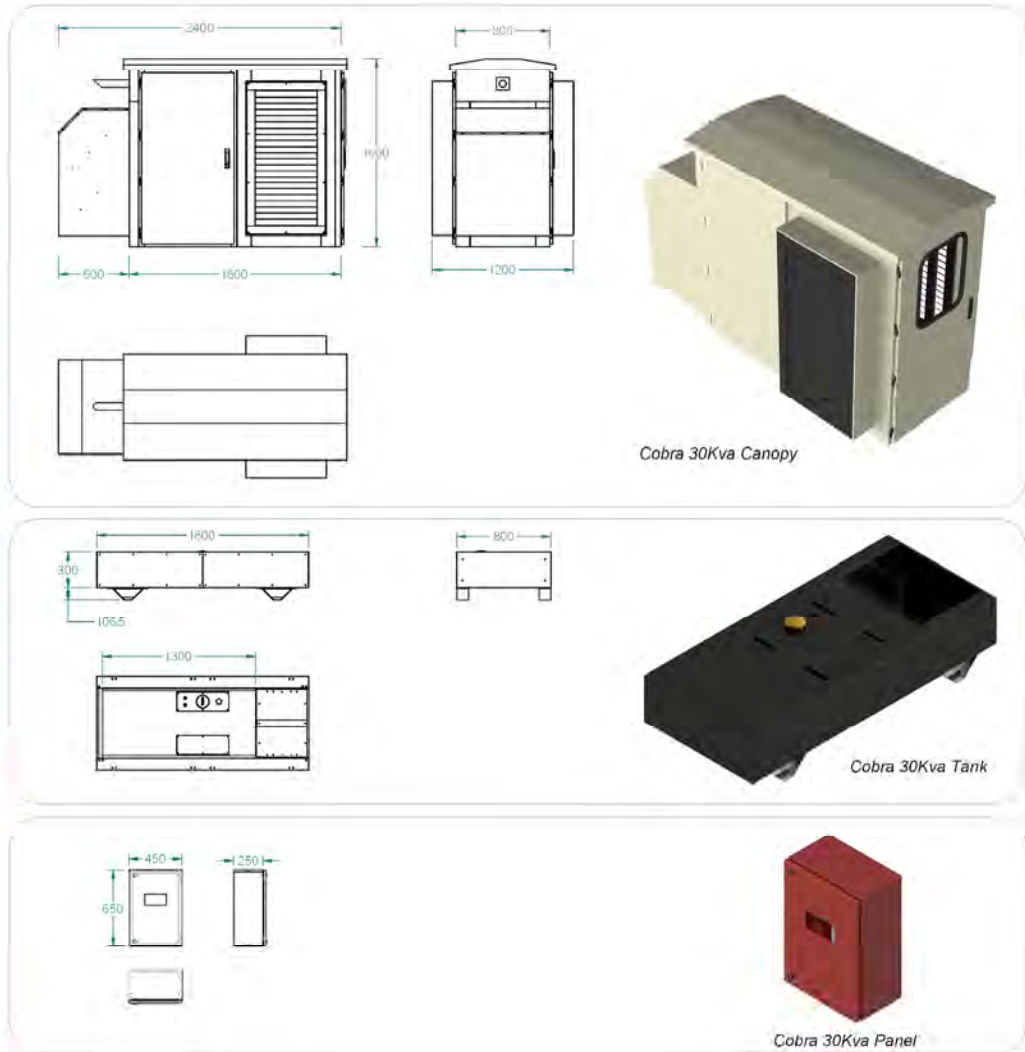
E & O.E. : Prices and design subject to change without notice

SPECIALS MADE TO ORDER

Sound Attenuated Canopy

**COBRA
Canopy**

**NON STOCK ITEM
manufactured to order**



CODE	DEPTH	WIDTH	HEIGHT
Cobra-30Kva	2400	1500	1600
Cobra-30Kva Tank	1800	800	300
Cobra-30Kva Panel	250	450	650

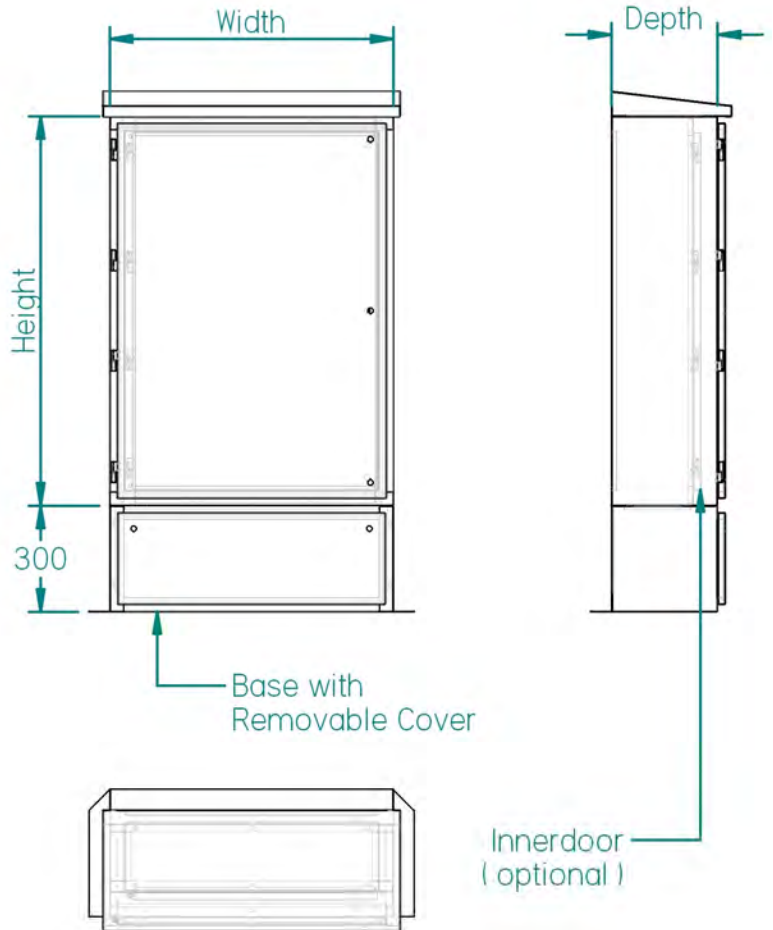
FABRICATION

- Material : 2mm Mild steel.
- Finish : Powder coated.
- Comes complete with exhaust housing.
- Non stock item, manufactured to order.

E & O.E. : Prices and design subject to change without notice

SPECIALS MADE TO ORDER

**NON STOCK ITEM
manufactured to order**



CODE	DEPTH	WIDTH	HEIGHT	CHASSIS SIZE
PK-46	250	400	600	315 X 515
PK-57	300	500	700	415 X 615
PK-68	300	600	800	515 X 715
PK-710	300	700	1000	615 X 915
PK-811	300	800	1100	715 X 1015

FABRICATION

- Material : 1.6mm Mild steel.
- Standard colours : (B26) Orange with textured black base.
- Optional colours available.
- Finish : Powder coated
- Optional Extra : Innerdoor to be specified and ordered separately

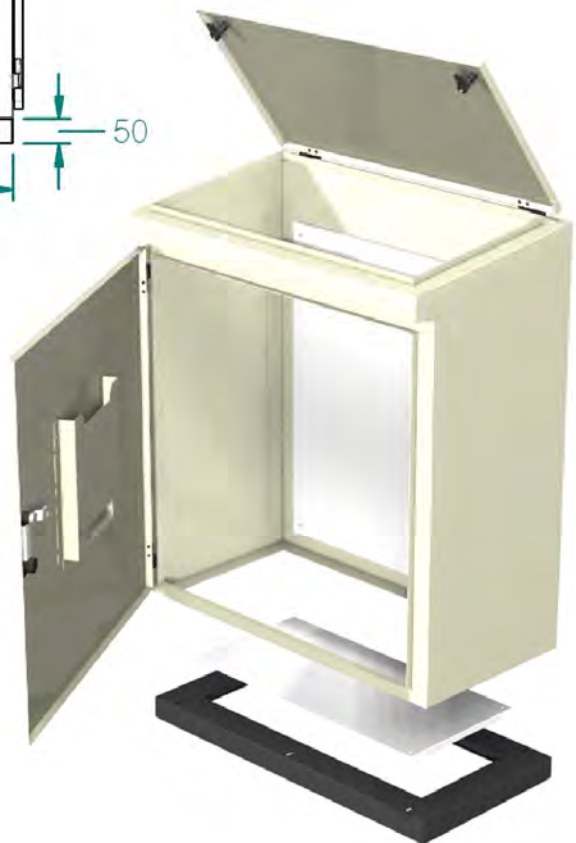
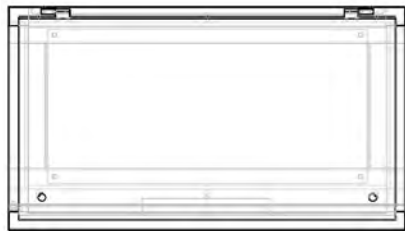
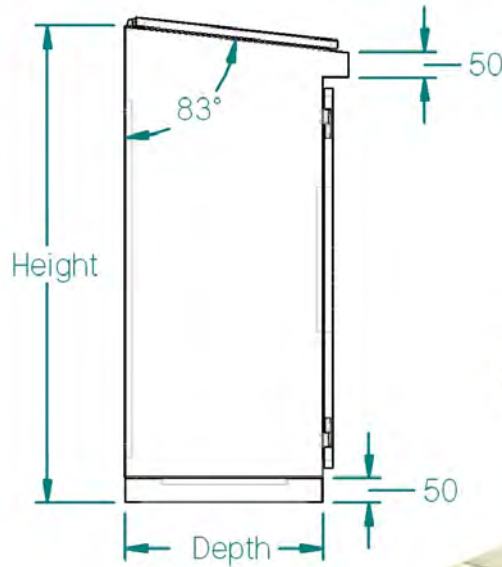
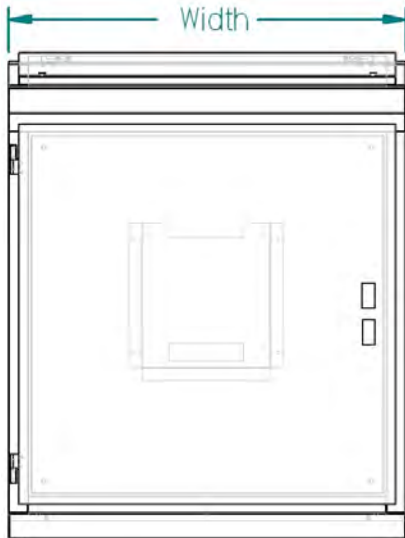
E & O.E. : Prices and design subject to change without notice

SPECIALS MADE TO ORDER

**Control Desk PS - Enclosures
IP54 - Construction**

**Control
Desk PS
RANGE**

CONTROL DESKS



CODE	DEPTH	WIDTH	HEIGHT	CHASSIS SIZE
Control Desk PS - (96-60-40)	400	600	960	510 X 722
Control Desk PS - (96-80-40)	400	800	960	714 X 722
Control Desk PS - (96-100-40)	400	1000	960	914 X 722

FABRICATION

- Material : 2mm Mild steel.
- Standard colours : (RAL 7032) Siemens grey.
- Optional colours available.
- Finish : Powder coated.

E & O.E. : Prices and design subject to change without notice

SPECIALS MADE TO ORDER



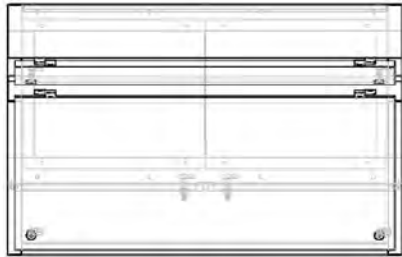
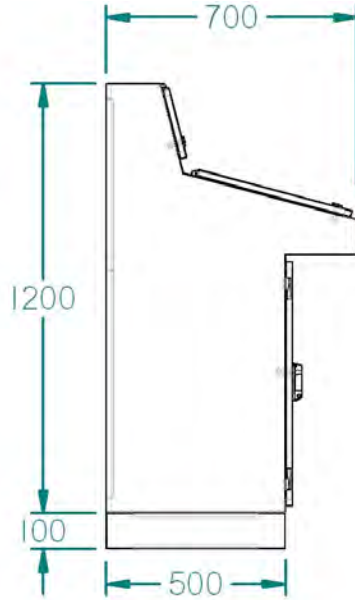
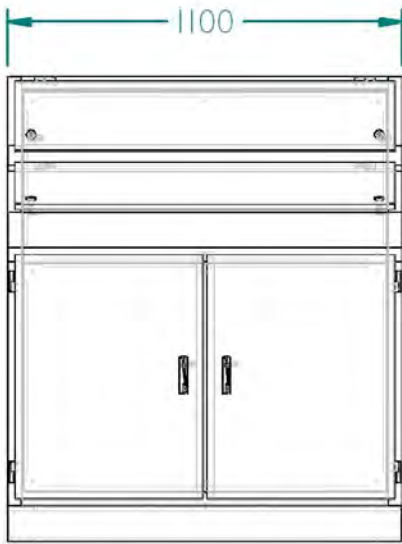
Bench-Type Floorstanding Control Desk - Enclosure
IP54 - Construction



Van Wyk's Electrical (Pty)

REG. Number 1983/007915/07
 141 Station Rd
 Brakpan
 1541
 www.vwe.co.za

P.O. Box 14534
 Farrarmere
 1518
 TEL : 011 740 1238
 FAX : 011 740 1268



CODE	DEPTH	WIDTH	HEIGHT	Combined CHASSIS SIZE
------	-------	-------	--------	-----------------------

BF-CD (11-12-5) 1,6mm	500	1100	1200	1012 X 1112
-----------------------	-----	------	------	-------------

FABRICATION

- Material : 1,6mm Mild steel.
- Standard colours : (RAL 7032) Siemens grey.
- Optional colours available.
- Finish : Powder coated

E & O.E. : Prices and design subject to change without notice

SPECIALS MADE TO ORDER



Van Wyk's Electrical (Pty)

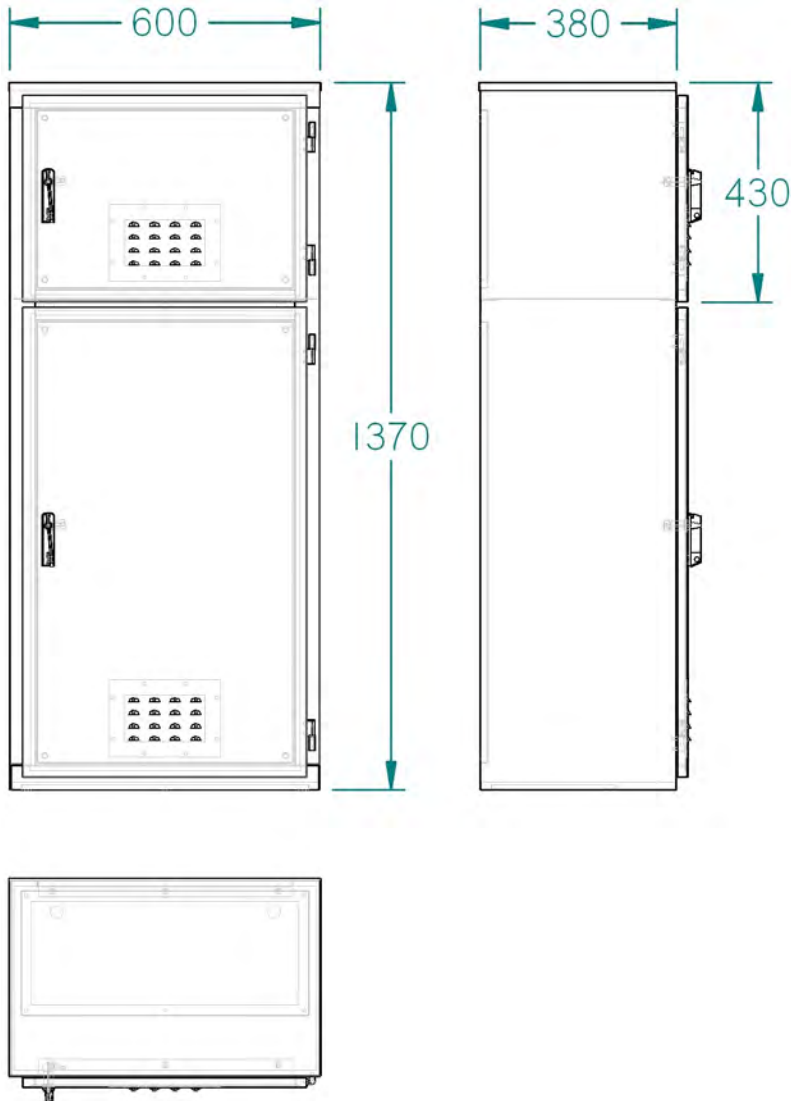
REG. Number 1983/007915/07
141 Station Rd
Brakpan 1541
www.vwe.co.za

P.O. Box 14534
Farrarmere 1518
TEL : 011 740 1238
FAX : 011 740 1268

KS-5A TC Wall Mount Feeder Pillar IP65 - Construction

**KS-5A
TC**

COUNCIL PANELS



CODE	DEPTH	WIDTH	HEIGHT
KS-5A TC - Council Panel	380	600	1370

FABRICATION
<ul style="list-style-type: none"> Material : 1.6mm 3CR12 Stainless steel Standard colours : Light brown Optional colours available. Finish : Powder coated.

E & O.E. : Prices and design subject to change without notice

SPECIALS MADE TO ORDER

M41C

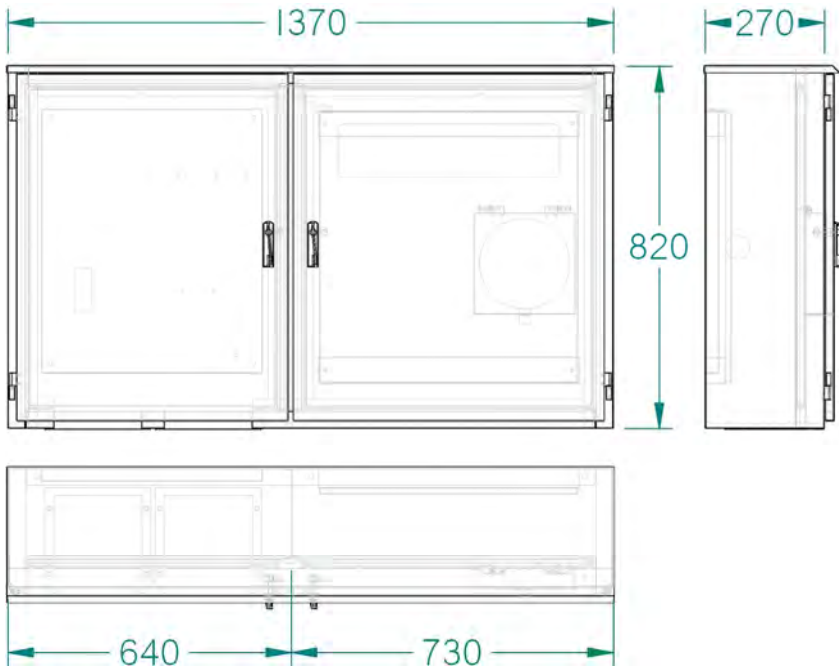
**M41C Wall Mount Feeder Pillar
IP65 - Construction**



Van Wyk's Electrical (Pty)

REG. Number 1983/007915/07
141 Station Rd
Brakpan
1541
www.vwe.co.za

P.O. Box 14534
Farrarmere
1518
TEL : 011 740 1238
FAX : 011 740 1268



CODE	DEPTH	WIDTH	HEIGHT
M41C—Council Panel	270	1370	820

FABRICATION
<ul style="list-style-type: none"> Material : 1.6mm Mild steel. Standard colours : Light brown. Optional colours available. Finish : Powder coated.

E & O.E. : Prices and design subject to change without notice

SPECIALS MADE TO ORDER



Van Wyk's Electrical (Pty)

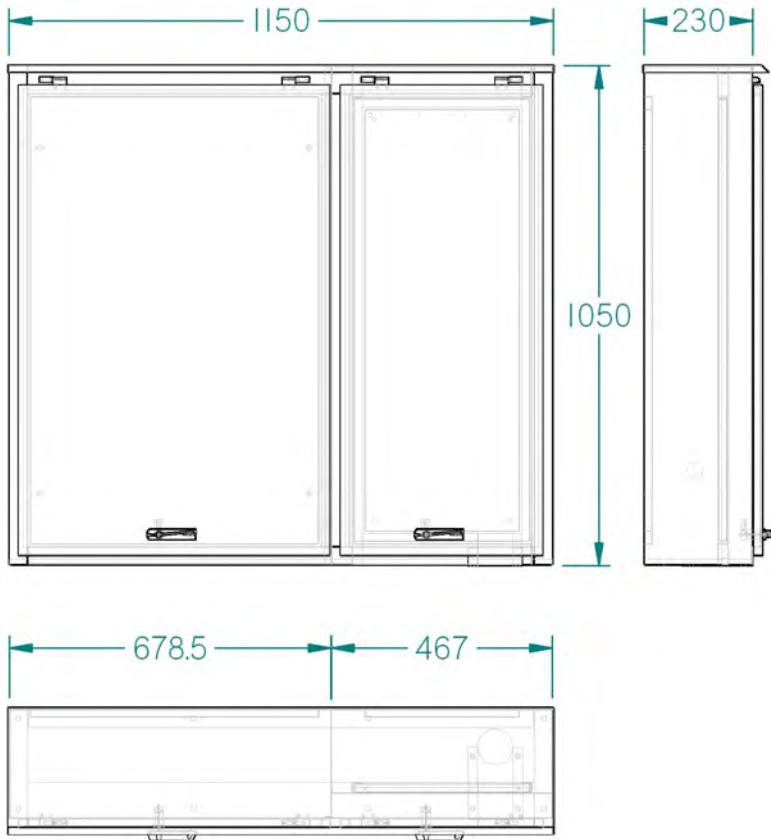
REG. Number 1983/007915/07
141 Station Rd
Brakpan 1541
www.vwe.co.za

P.O. Box 14534
Farrarmere 1518
TEL : 011 740 1238
FAX : 011 740 1268

JCC Wall Mount Feeder Pillar IP65 - Construction

JCC

COUNCIL PANELS



CODE	DEPTH	WIDTH	HEIGHT
JCC—Council Panel	230	1150	1050

FABRICATION
<ul style="list-style-type: none"> Material : 1.6mm Mild steel. Standard colours : Light brown. Optional colours available. Finish : Powder coated.

E & O.E. : Prices and design subject to change without notice

SPECIALS MADE TO ORDER

**Busbar
Bracket
Sets**

Busbar Bracket Sets



Van Wyk's Electrical (Pty)

REG. Number 1983/007915/07
141 Station Rd
Brakpan
1541
www.vwe.co.za

P.O. Box 14534
Farrarmere
1518
TEL : 011 740 1238
FAX : 011 740 1268

Brass Terminal Bar I02 EB 24I.asm

**24Way 250A
Busbar SET**

Brass Terminal Bar I02 EB 12I.asm

**12Way 250A
Busbar SET**

30 X 10 Copper

**9Way 400A
Busbar SET**

CODE	DEPTH	WIDTH	HEIGHT
24 Way 250A Busbar Set	170	270	120
12 Way 250A Busbar Set	170	180	120
9 Way 400A Busbar Set	200	320	162

· Step insulators mounted on powder coated mild steel chassis / tophat.
· Copper bars mounted on insulators.

FABRICATION

E & O.E. : Prices and design subject to change without notice

SPECIALS MADE TO ORDER

Various Accessories

Various
Accessories



A4 & A5
Cardholder



Mounting Ears
M/S & S/S



A4 Drawing
Pocket

PRODUCT	DEPTH	WIDTH	HEIGHT
Standard Mounting Ears (Set contains four)	-	-	-
Stainless Steel Mounting Ears (Set contains four)	-	-	-
A4 Cardholder (complete with card & perspex)	-	215	300
A5 Cardholder (complete with card & perspex)	-	150	168.5
A4 Drawing Pocket	35	310	317

FABRICATION

- Material : See above.
- Standard colours : Drawing pockets & cardholders : Orange, Mounting ears : plated.
- Optional colours available.
- Finish : Powder coated.

E & O.E. : Prices and design subject to change without notice

SPECIALS MADE TO ORDER